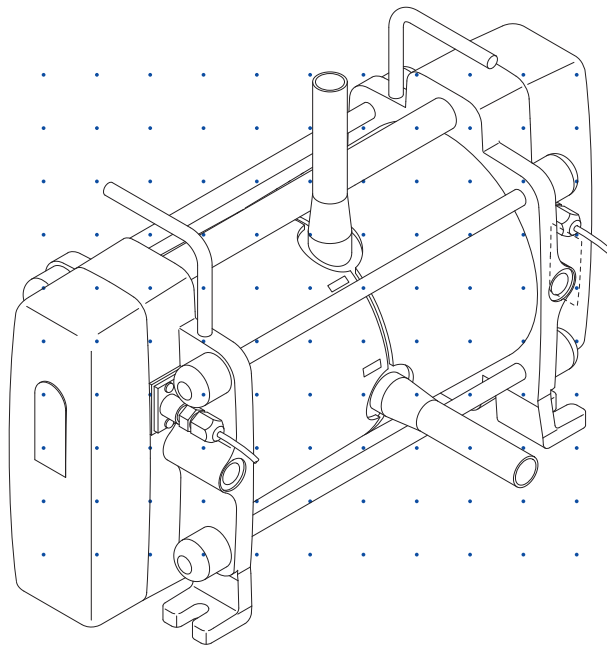



Iwaki Pneumatic Drive Bellows Pump FS series



Instruction manual

Thank you for choosing our product.

 Please read through this instruction manual before use.

This instruction manual describes important precautions and instructions for the product. Always keep it on hand for quick reference.

Order confirmation

Open the package and check that the product conforms to your order. If any problem or inconsistency is found, immediately contact your distributor.

a. Check if the delivery is correct.

Check the nameplate to see if the information such as model codes are as ordered.

*Electrical wiring changes with the controllers.



*The CE marking on our product(s) is for us to market the product(s) into the European market, however, the CE marking does not ensure any safety or conformity of the product(s) outside the European market. When the pump is incorporated into the equipment marketed in the European market, such equipment must meet all the requirements of applicable directives. In such a case, any person who places the equipment on the market must carry a CE mark on the equipment as a manufacturer.

b. Check if the required number of accessories is provided.

<Attached accessories>

A FDC-1 controller and two quick exhaust valves

c. Check if the delivery is damaged or deformed.

Check for transit damage and loose bolts.

Contents

Order confirmation	2
Safety instructions.....	5
Warning	6
Caution	7
Precautions for use	9
Overview.....	10
Introduction	10
Pump structure & Operating principle	10
Part names	11
Pump	11
Operating conditions.....	12
Pump stroke	12
Supply air pressure range	12
Liquid temperature range	12
Liquid characteristics	12
Do not run the pump with the following liquid	12
Use care handling the following liquids:.....	12
Operation and Stoppage	13
During operation	13
When stopping the pump	13
During stoppage.....	13
Air exhaust port	13
Leak sensors	13
Ambient temperature.....	13
Pump surface temperature.....	13
Noise from pump.....	13
Identification codes	14
Installation	15
Pump mounting	15
Liquid line piping	17
Suction line.....	18
Flooded suction.....	18
Filtration (suction line end)	18
When installing a valve on the suction line:	18
Discharge line	19
Pulsation reduction	19
When installing a valve on the discharge line:	19
Filtration (circulation)	19
Filtration (discharge line end).....	19
Depressurization at pump stop	19
Degassing	20

Air line piping	21
Supply air port I.D.	21
Air line piping diagram.....	22
Composite effective cross-sectional area	24
Effective cross-sectional area	24
Preventive measures against condensation	24
Electric wiring	25
Installation	25
Lead wires	25
Extension of leak sensor wires	25
Installation of proximity switch wires	25
Extension of proximity switch wires	25
Wiring diagram	26
Operation.....	27
Before operation	27
Pump operation.....	28
Starting the pump.....	28
Flow rate adjustment	29
Stoppage.....	29
Maintenance.....	30
Troubleshooting	30
Inspection	33
Daily inspection	33
Periodic inspection.....	33
Wear part list	34
Specification/Outer dimension.....	35
Specification.....	35
FS-15 H T 1 or 2.....	35
FS-30 H T 1 or 2	36
FS-60 H T 1 or 2	36
Outer dimension	37
FS-15 H T 1	37
FS-15 H T 2	37
FS-30 H T 1	38
FS-30 H T 2	38
FS-60 H T 1	39
FS-60 H T 2	39
Part names.....	40
FS-15 H T 1	40
FS-15 H T 2.....	41
FS-30 H T 1	42
FS-30 H T 2	43
FS-60 H T 1	44
FS-60 H T 2	45
EC DECLARATION OF CONFORMITY	46

Safety instructions

Read through this section before use. This section describes important information for you to prevent personal injury or property damage.

■ Symbols

In this instruction manual, the degree of risk caused by incorrect use is noted with the following symbols. Please pay attention to the information associated with the symbols.



WARNING

Indicates mishandling could lead to a fatal or serious accident.



CAUTION

Indicates mishandling could lead to personal injury or property damage.

A symbol accompanies each precaution, suggesting the use of "Caution", "Prohibited actions" or specific "Requirement".

Caution marks



Caution



Electrical shock

Prohibited marks



Prohibited



Do not rework or alter

Requirement marks



Requirement



Wear protection



Grounding

Export Restrictions

Technical information contained in this instruction manual might be treated as controlled technology in your countries, due to agreements in international regime for export control.

Please be reminded that export license/permission could be required when this manual is provided, due to export control regulations of your country.

⚠ WARNING



Requirement

Turn off power before work

Risk of electrical shock. Be sure to turn off power to stop the pump and related devices before service is performed. Let other people know about the situation by displaying a notice such as "POWER OFF (Maintenance)" near the power switch.



Requirement

Confirm safety in your working area

Keep away from the pump when turning on power. The pump doesn't have an ON-OFF switch. The pump starts as a power cable is plugged in.



Requirement

Stop operation

If you notice any abnormal or dangerous conditions, suspend operation immediately and inspect/solve problems.



Prohibited

Do not use the pump in any condition other than its intended purpose

The use of the pump in any conditions other than those clearly specified may result in failure or injury. Use this product in specified conditions only.



Do not remodel

Do not modify the pump

Alterations to the pump carries a high degree of risk. It is not the manufacturer's responsibility for any failure or injury resulting from alterations to the pump.



Wear protectors

Wear protective clothing

Always wear protective clothing such as an eye protection, chemical resistant gloves, a mask and a face shield during disassembly, assembly or maintenance work. The specific solution will dictate the degree of protection. Refer to MSDS precautions from the solution supplier.



Requirement

Spill precautions

Ensure protection and containment of solution in the event of plumbing or pump damage (secondary containment).



Caution

Do not touch the pump or pipe with bare hands

Risk of burning. The surface temperature of the pump or pipe rises high along with liquid temperature in or right after operation.



Prohibited

Do not remove covers

Do not remove any covers including the right-and-left cylinder head covers during operation in order to reduce the risk of personal injury.



Requirement

Depressurize piping before disassembly

Release a pressure from both liquid and air lines before dismantling the pump or removing piping.

⚠ CAUTION

Requirement

Qualified personnel only

The pump should be handled or operated by qualified personnel with a full understanding of the pump. Any person not familiar with the product should not take part in the operation or maintenance of the pump.



Prohibited

Use specified power only

Do not apply any power other than that specified on the nameplate. Otherwise, failure or fire may result. Ensure the pump is properly grounded.



Requirement

Ventilation

Fumes or vapours can be hazardous with certain solutions. Ensure proper ventilation at the operation site.



Prohibited

Do not install or store the pump:

- In a flammable atmosphere.
- In a dusty/humid environment.
- In a corrosive atmosphere.



Prohibited

Do not stand on the pump

Do not use the pump as a platform. Injury or damage may result when the pump turns over.



Requirement

Flushing before operation

Flush the inside of the pump and piping with pure water or the liquid to be delivered before the start of operation.



Requirement

Do not run the pump with the following liquid:

- Liquid that easily crystallizes
- Slurry
- Low conductivity hydrocarbon liquid



Requirement

Use care handling the following liquid:

- Stripper (the pump must be in explosion proof.)
- Solvent
- Hydrazine
- Fuming sulfuric acid



Requirement

Static electricity

When low electric conductivity liquids such as ultra-pure water and fluor inactive liquid (e.g. Fluorinert™) are handled, the static electricity may be generated in the pump and may cause static discharge. Take counter-measures to remove the static electricity.

CAUTION



Requirement

Wear part replacement

Follow instructions in this manual for wear part replacement. Do not dismantle the pump beyond the extent of the instructions.



Requirement

Before returning product

Be sure to drain chemicals and clean the inside of the pump before return so that a harmful chemical does not spill out in transit.



Requirement

Observe the maximum stroke rate

Operation above the max stroke rate may reduce the life of bellows. See the "Specification" section on page 35 for detail. Set the FDC-1 controller not to run the pump over the limits even under dry running.



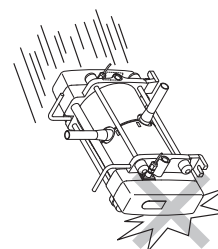
Requirement

Disposal of a used pump

Dispose of any used or damaged pump in accordance with local rules and regulations. If necessary, consult a licensed industrial waste disposal company.

Precautions for use

- During transit:
 - Do not hit/wet the package.
 - Do not place the package lateral/up side down.
 - Keep the package dry.
 - Do not stack the package on top of another.
- Electrical work should be performed by a qualified electrician. Otherwise, personal injury or property damage could result.
- Do not install the pump:
 - In a flammable atmosphere.
 - In a dusty/humid place.
 - In a corrosive atmosphere.
- Allow sufficient space around the pump for easy access and maintenance.
- Use care handling the pump. Do not drop. An impact may affect pump performance. Do not use a pump that has been damaged to avoid the risk of electrical damage or shock.
- The pump and controller are not waterproof. Do not operate the pump and controller while wet with solution or water. Failure or injury may result. Immediately dry off the pump and controller if they get wet.
- Do not close discharge line during operation. Solution may leak or piping may break.
- Solution in the discharge line may be under pressure. Release the pressure from the discharge line before disconnecting plumbing or disassembly of the pump to avoid solution spray.
- Wear protective clothing when handling or working with pumps. Consult solution MSDS for appropriate precautions. Do not come into contact with residual solution.
- Do not leave the pump with any chemical in the bellows for a long period. Some chemical gas can penetrate the bellows and corrode metal parts. Run the pump for ten minutes a day for replacing gas when the pump is going to be suspended two or three days.



Overview

Pump characteristics, features and part names are described in this section.

Introduction

Pump structure & Operating principle

An Iwaki FS series pneumatic drive bellows pump has fluorocarbon wet ends and is designed for semiconductor manufacturing processes.

Principle of operation

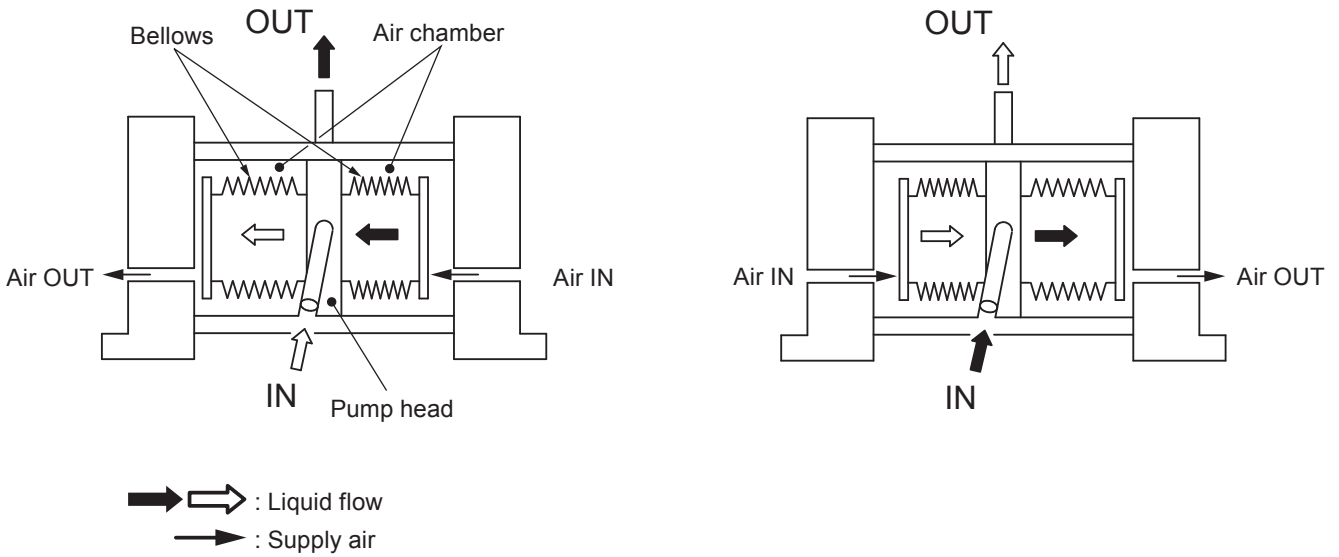
The pump unit has two air chambers and a pair of bellows. The reciprocating motion of the bellows in the air chambers introduces/delivers solution.

Suction process

Either bellows takes in solution via the inlet as it expands.

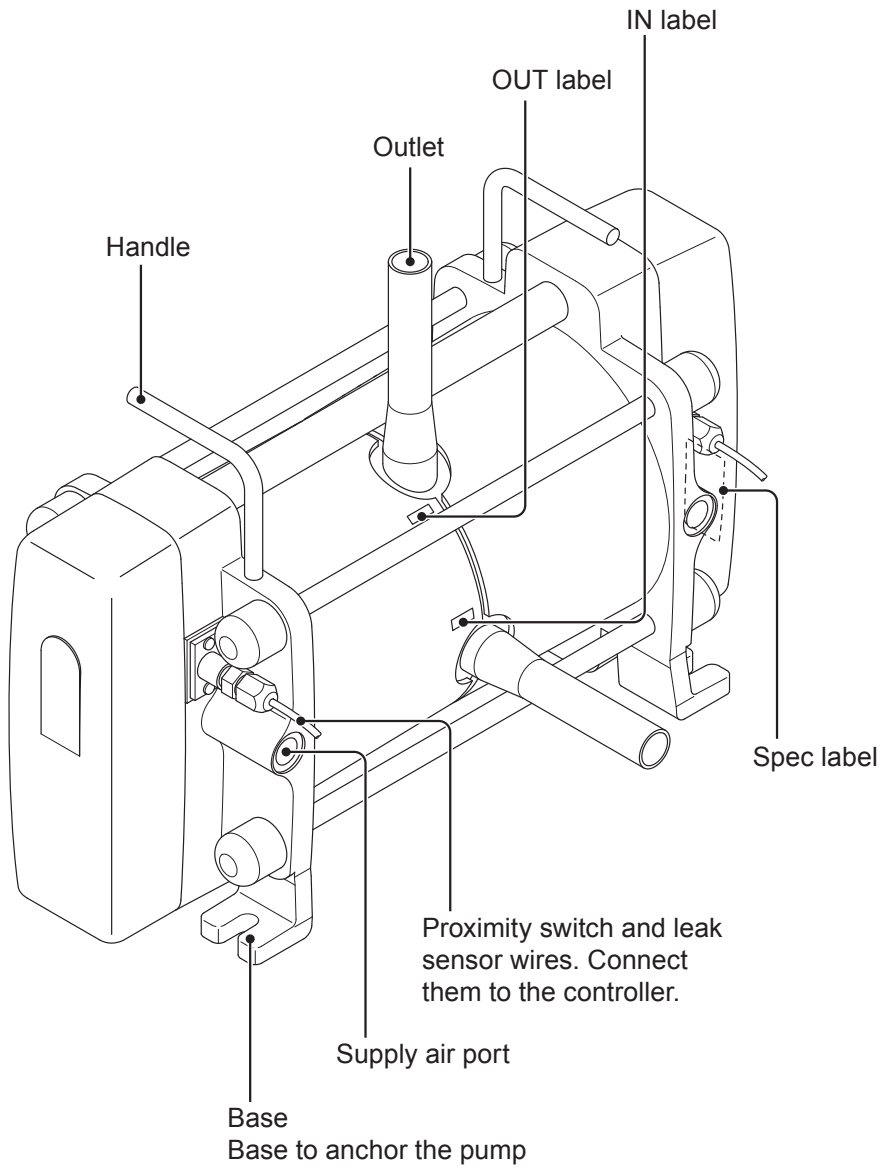
Discharge process

The bellows lets out solution via the inlet as it contracts.



Part names

Pump



*Do not clean the pump or spec label with a solvent such as benzine or thinner.

*Two or more personnel must be required to lift and move this pump.

Operating conditions

Pump stroke

Observe the maximum stroke rate of each pump, or the pump can take in a large amount of air, resulting dry running.

*Use the FDC-1 controller and set the maximum allowable speed.

Supply air pressure range

Observe the allowable supply air pressure range at each liquid temperature below.

Liquid temperature	Supply air pressure
5-50°C	0.15-0.5MPa
51-100°C	0.15-0.3MPa
101-180°C	0.15-0.2MPa

*Try to use the minimum allowable supply air pressure to protect the filter and bellows and reduce the risk of solution spray.

*A flow rate changes with supply air pressure. Use a regulator to keep the pressure constant.

Liquid temperature range

Observe the allowable liquid temperature range of 5-180°C. Note sharp temperature fluctuation (heat shock) may reduce the life of the pump. Contact us for detail.

Liquid characteristics

■ Do not run the pump with the following liquid

- *Liquid that easily crystallizes*
- *Slurry*
- *Low conductivity hydrocarbon liquid*

*Crystallization or the delivery of slurry remarkably shorten the lives of valves and bellows.

*Delivery of low conductivity hydrocarbon liquid can cause ESD damage.

■ Use care handling the following liquid:

- *Stripper*
- *Solvent*
- *Hydrazine*
- *Fuming sulfuric acid*

*Some strippers cause cracks on the PFA bellows and piping, and therefore a warranty period is shortened. Contact us for detail.

*An explosion-proof construction is required for the delivery of solvents. Contact us for detail.

Operation and Stoppage

■ During operation

Make sure a suction and a discharge line are fully opened.

■ When stopping the pump

- Before stopping the pump, release discharge line pressure. Otherwise, the bellows may deform.
- Do not close a discharge valve as stopping the pump, or an impact pressure may deform the bellows or connecting plate.

■ During stoppage

- Do not pressurize both the right and left air chambers at the same time, or the bellows may deform.
- Always check the specification of the double solenoid valve before installation. Some types (pressure centre types) are designed to pressurize both the right and left air chambers at the same time.
- Do not leave the pump with any chemical in the bellows for a long period. Some chemical gas can penetrate the bellows and corrode metal parts.

Air exhaust port

Do not narrow an air exhaust line (for example by reducing the tube I.D.). Or the residual pressure in the pump may deform the bellows.

*Always observe the minimum composite effective cross-sectional area. Do not extend the air exhaust port too far away from the solenoid valve (SV) or the quick exhaust valve (QEV). Otherwise, increased pipe resistance may break the limit.

Leak sensors

The sensors occasionally fails to detect leakage depending on operating conditions. Contact us for detail.

Ambient temperature

Observe the allowable operating ambient temperature range of 0-40°C.

Pump surface temperature

Risk of burning. The surface temperature of the pump or pipe rises high along with liquid temperature in or right after operation. With the FS-15, for example, a cylinder head surface temperature rises up to 60°C when liquid temperature is 190°C and ambient temperature is 24°C.

Model	Liquid temperature	Cylinder head surface temperature	Ambient temperature
FS-15	190°C	60°C	24°C
FS-30	190°C	64°C	24°C
FS-60	190°C	53°C	20°C

Noise from pump

Exhaust noise accompanies pump operation. Provide noise insulation as necessary. With the FS-15, for example, a noise level rises up to 67.5dB (A) at 240spm and 0.3MPa (supply air pressure).

Model	Supply air pressure	Stroke rate	Noise level
FS-15	0.3MPa	240spm	67.5dB(A)
	0.5MPa	180spm	69.2dB(A)
FS-30	0.3MPa	220spm	70.5dB(A)
	0.5MPa	180spm	70.5dB(A)
FS-60	0.3MPa	200spm	73.0dB(A)
	0.5MPa	180spm	72.0dB(A)

*The noise level above includes the operating noise from the pump and the SV.

Identification codes

Each code represents the following information.

FS - 15 H T 1 - 01

a b c d e f

a. Series name

FS : Medium & High liquid temperature

b. Maximum flow rate

15 : 15L/min

30 : 30L/min

60 : 55L/min

c. Allowable liquid temperature range

H : 5-180°C

d. Pump connection (Inlet/Outlet)

T : Tube (standard)

e. Pump head-bellows connection

1 : Mechanical

2 : Welded

f. Special specifications

No symbol : Standard

01 : Special specifications (01, 02...)

Installation

This section describes the installation of the pump, piping and wiring. Read through this section before work. To operate this pump, a 5-port solenoid valve and FDC-1 controller is needed. Always install QEVs (quick exhaust valves) to secure system safety. Purchase separately.

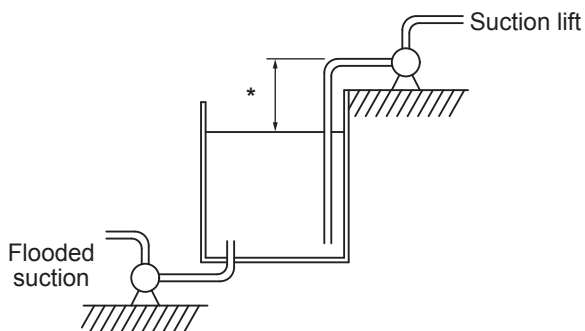
! Points to be observed

Observe the following points when installing the pump.

- Be sure to turn off power to stop the pump and related devices before service is performed.
- Be careful for the power not to be turned on during work.
- If you notice any abnormal or dangerous conditions, suspend operation immediately and inspect/solve problems.
- Do not install the pump in a flammable atmosphere.

Pump mounting

Mount the pump in flooded suction or suction lift application.



In flooded suction application:

Place the pump as close to the supply tank as possible.

*Flooded suction is recommended for hot liquid transfer or for looped system.

In suction lift application:

Observe the maximum suction lift* at each model (see below). Place the pump as close to the supply tank as possible.

Model	Suction lift
FS-15	1m
FS-30	2m
FS-60	

*The suction lift is based on pumping clean water at ambient temperature and the maximum stroke rate, and varies with liquid characteristics, liquid temperature or suction line length. Contact us for detailed information.

1 Select a location

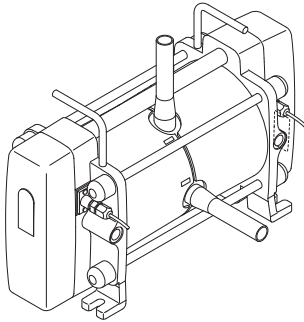
Select a level location, free from vibration, that won't hold liquid. Anchor the pump so it doesn't vibrate. See page 9 as well.

*Flooded suction application is recommended.

*Observe the maximum suction lift (1m for the FS-15, 2m for the FS-30/-60) in suction lift application.

2 Anchor the pump so it doesn't vibrate

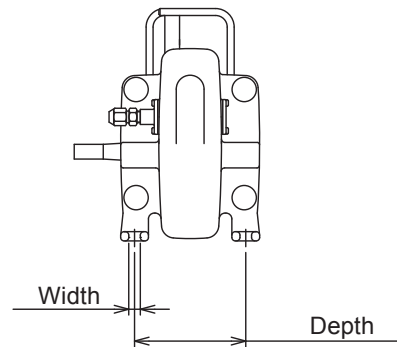
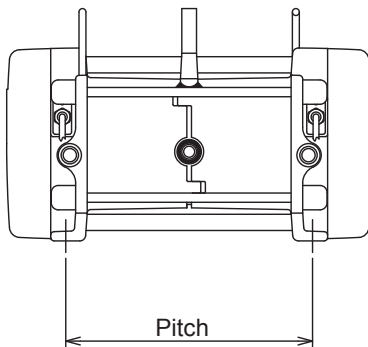
Position the pump upright with the outlet upward and inlet sideways.



Provide four holes for pump anchoring (M8 or M10 hex anchoring bolts and plate washers) by the following pitch, width and depth.

*Use spring washer as necessary.

Model	Pitch	Width	Depth	Hole I.D.
FS-15	213 ⁺² ₀ mm	10mm	96±1mm	M8
FS-30	272 ⁺² ₀ mm		115±1mm	
FS-60	317 ⁺² ₀ mm	12mm	152±1mm	M10



3 Retighten the stud bolts

Tighten the stud bolts that are fixing the cylinder heads to the rated torques as below.

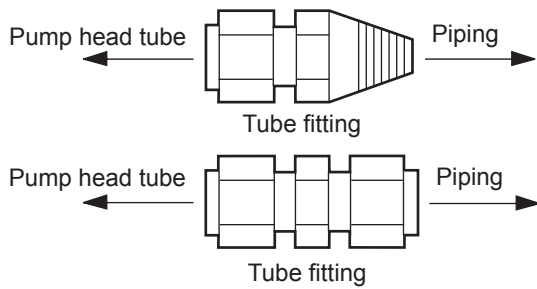
Model	Tightening torque	Model	Tightening torque
FS-15HT1	9.8N•m	FS-15HT2	5.4N•m
FS-30HT1	15.7N•m	FS-30HT2	6.4N•m
FS-60HT1	21.6N•m	FS-60HT2	8.3N•m

NOTE

A leak results in operation if the stud bolts are loose.

Liquid line piping

The pump has different sizes of the inlet/outlet PFA tube at each model. See the table below. Use applicable tube fittings for the connection with your piping system.



Model	PFA tube sizes
FS-15	1/2" (I.D. 9.52mm × O.D. 12.7mm)
FS-30	I.D. 16mm × O.D. 19mm
FS-60	I.D. 22mm × O.D. 25mm

*Select an appropriate tube fitting size. Both discharge- and suction-line I.D. should be larger than the pump outlet & inlet O.D.

*General joints can be used, however, no leakage is allowed under hot liquid transfer or heat cycle.

*Use measures to keep the pump connections free from stress.

! Points to be observed

Air blow or flush a suction and a discharge tube to get rid of debris prior to connecting with the pump.

- 1 Connect a suction and a discharge tube to the pump inlet and outlet via the tube fittings. Use measures to keep the pump connections free from stress such as weight and thermal expansion/contraction.

NOTE

Be sure to secure each connection to prevent leakage and air ingress.

Suction line

■ Flooded suction

Have the suction line wide and shortest in flooded suction application. In suction lift application, observe the maximum suction lift.

*The suction lift differs with the liquid's characteristics, temperature and suction line length. For detailed information, contact us.

■ Filtration (suction line end)

Install a filter or strainer at the suction line end to prevent particles from entering the bellows. The filter or strainer should not increase piping resistance too much (observe the minimum composite effective cross-sectional diameter.).

NOTE

If wafer fragments enter the pump, they may get stuck in the bellows and eventually cause failure. If they clog the pump head valves, the discharge volume may reduce and the pumping operation may become unbalanced.

■ When installing a valve on the suction line:

Select a valve with an orifice equal to or larger than pipe I.D. A valve with a small orifice may increase the pipe resistance or easily be clogged with crystals. Always open valves during operation.

NOTE

Operating the pump with a suction side valve close, negative pressure increases in the bellows and deforms the bellows inwardly.

Discharge line

■ Pulsation reduction

The pipe resistance increases as a discharge line becomes longer or the number of bends increases. In order to decrease pipe resistance, install a dampener and minimizes pulsation.

*When sending a liquid up via a riser pipe, install a check valve as well as a dampener.

■ When installing a valve on the discharge line:

Select a valve with an orifice equal to or larger than pipe I.D. A valve with a small orifice may increase the pipe resistance or easily be clogged with crystals. Always open valves during operation. Do not close the valve until the discharge pressure reaches "0" after the pump is stopped.

NOTE

Do not close a discharge valve right after stopping the pump. Impact pressure may deform the bellows.

■ Filtration (circulation)

Check a filtering area, filtering performance and effects on the flow before selecting a cycle filter. A desired flow may not be obtained if selection is wrong.

NOTE

Wet the filter before use. A desired flow may not be obtained if the filter is dry. Filter dries up if it is unused for a long period. Read the instruction manual of the filter for details.

■ Filtration (discharge line end)

Install a filter or strainer in a discharge line not to release foreign matters or wafer fragments. The filter or strainer should not increase piping resistance too much (observe the minimum composite effective cross-sectional diameter.).

■ Depressurization at pump stop

When stopping the pump, be sure to release discharge pressure by opening the filter, the air vent valve or through a return circuit.

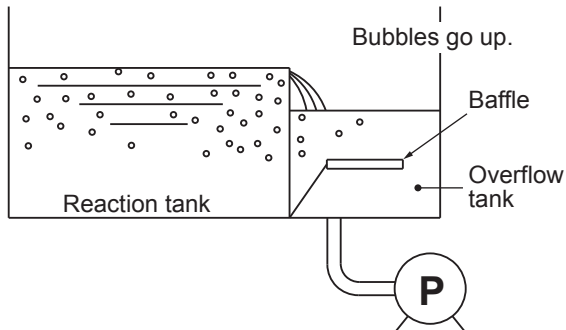
NOTE

Stopping the pump without releasing discharge pressure may deform the bellows.

Degassing

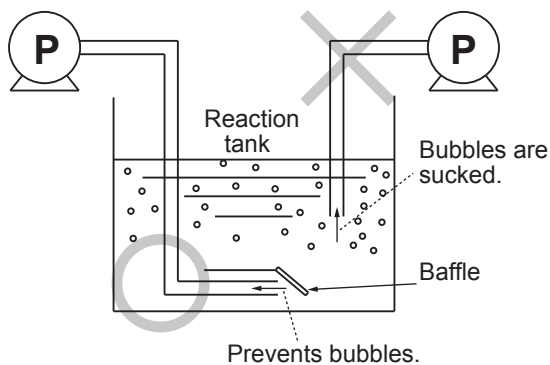
Gas bubbles are generated when a strong acid is fed into the reaction tank or liquid is transferred through a narrow tube. If such bubbles enter the bellows, the pump runs dry, increasing stroke rate or disturbing liquid transfer. Take a proper step for degassing.

Plan A (Install a baffle to remove gas bubbles)



In flooded suction application

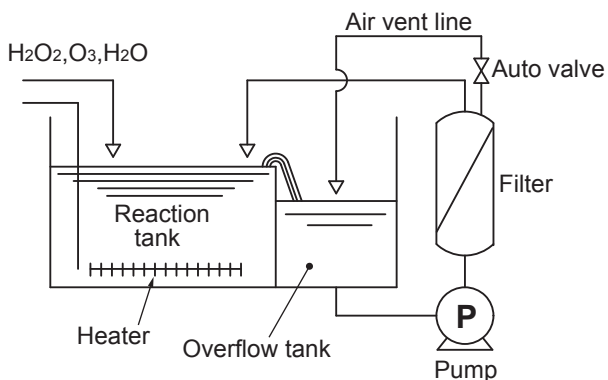
Install a baffle in a overflow tank to separate air from the liquid.



In suction lift application

Install a baffle to the bottom of the reaction tank. And then place the end of suction line under the baffle to suck liquid only.

Plan B (Install an automatic valve)



Periodic degassing

Program an automatic valve to open periodically regardless of dry running. For example, the valve opens for ten seconds every two minutes.

*Some filtering area may be too small to release air. Select a suitable filter size.

*Program an open time according to the system performance.

Pinpoint degassing

Install an air detector at the pump inlet and set the auto valve to open timely.

Another detector at the pump outlet will help detect bellows rupture.

! Points to be observed

Observe the following points when building up a supply air line.

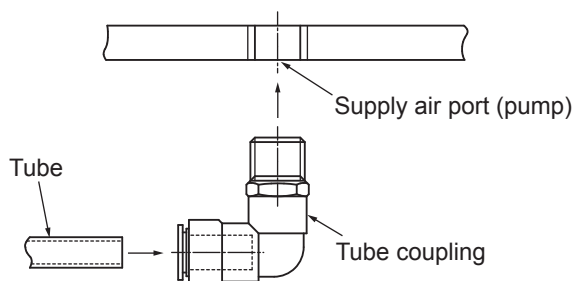
- A fluctuation of supply air pressure affects the stroke rate and the flow rate. Install a regulator to maintain the supply air pressure constant.
- Install a safety valve to observe the supply air pressure at each liquid temp:

Supply air pressure	Liquid temperature
0.15-0.5MPa	5-50°C
0.15-0.3MPa	51-100°C
0.15-0.2MPa	101-180°C

- Release the exhaust air into the open air. Narrowing the air exhaust port makes air less likely to be expelled. As a result the bellows may deform inwardly. Select necessary air devices with reference to the air line piping diagram on page 22.
- To reduce exhaust noise, release the exhaust air through the duct of the plant facility to the air, or attach silencers to exhaust ports.
- The air consumption increases as installing two or more pumps and the number of pumps increases. Optimise the air compressor capacity and air line I.D. taking account of composite effective cross-sectional area.
- Supply air should be free from moisture and dust. If the supply air is contaminated with water, oil or dust, the pump may fail in starting. If liquid enters the air chambers, the electrodes may detect it and sounds an alarm.
- Long, narrow or bent supply air tubing prevents air from being expelled from the air chamber, deforming the bellows inwardly, or stroke rate from increasing, reducing a liquid flow.

■ Supply air port I.D.

Supply air port I.D. is Rc 1/4" (FS-15H/-30H) or Rc 3/8" (FS-60H). Connect an applicable tube coupling to the pump.

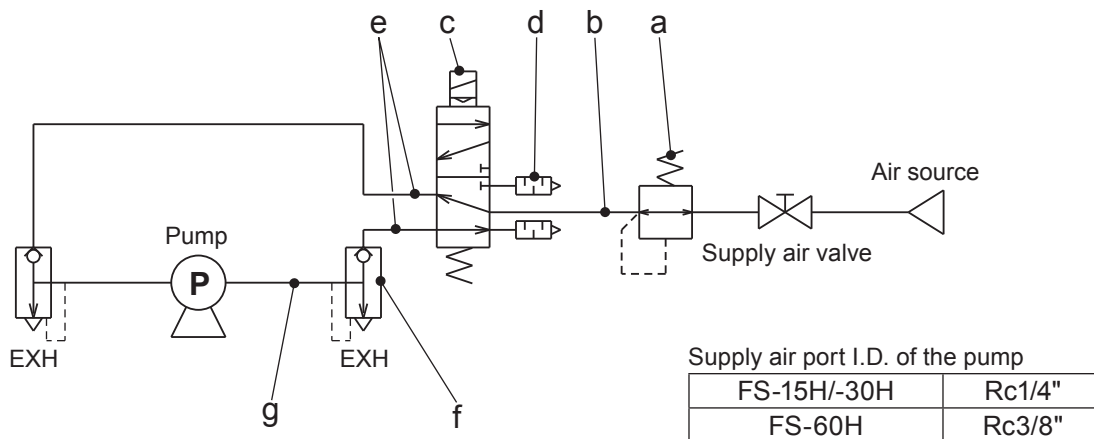


NOTE

Secure each connection for the prevention of air leak.

Air line piping diagram

The diagram below is a general layout of an air-line.



a. Regulator

Select one regulator per pump in accordance with the maximum air consumption of the pump.

*A supply air pressure should not drop 20kPa lower than the maximum rating of the regulator.

NOTE

- Just one regulator can not cover two or more solenoid valves because the valve located farthest from the regulator may not work properly due to a low pressure.
- Observe the supply air pressure below.

Supply air pressure	Liquid temperature
0.15-0.5MPa	5-50°C
0.15-0.3MPa	51-100°C
0.15-0.2MPa	101-180°C

b. The air line between the regulator and the solenoid valve

The optimal air line I.D. changes with the supply air pressure and the pump model. See below.

Supply air pressure	Air line I.D.	Model
0.31-0.5MPa	6.5mm or more	FS-15H
	8mm or more	FS-30H/-60H
0.15-0.3MPa	6.5mm or more	FS-15H/-30H
	8mm or more	FS-60H

c. Solenoid valve

Select a 5-port solenoid valve with the effective cross-sectional area as shown below.

Supply air pressure	Effective cross-sectional area	Sonic conductance	Model
0.31-0.5MPa	14mm ² or more	2.8dm ³ / (s·bar) or more	FS-15H
	25mm ² or more	5dm ³ / (s·bar) or more	FS-30H
	66mm ² or more	13.2dm ³ / (s·bar) or more	FS-60H
0.15-0.3MPa	10mm ² or more	2dm ³ / (s·bar) or more	FS-15H
	23mm ² or more	4.6dm ³ / (s·bar) or more	FS-30H
	34mm ² or more	6.8dm ³ / (s·bar) or more	FS-60H

*Always check the specification of the double solenoid valve before installation. Some types (pressure centre types) are designed to pressurize both the right and left air chambers at the same time.

d. Muffler

Mufflers should be installed on the exhaust ports of the SV or QEV. Observe the effective cross-sectional area of the mufflers at each pump model.

Model	Effective cross-sectional area
FS-15H/-30H	35mm ² or more
FS-60H	60mm ² or more

e. The air line between the SV and QEV

The optimal air line I.D. changes with the air line length and the pump model. See below.

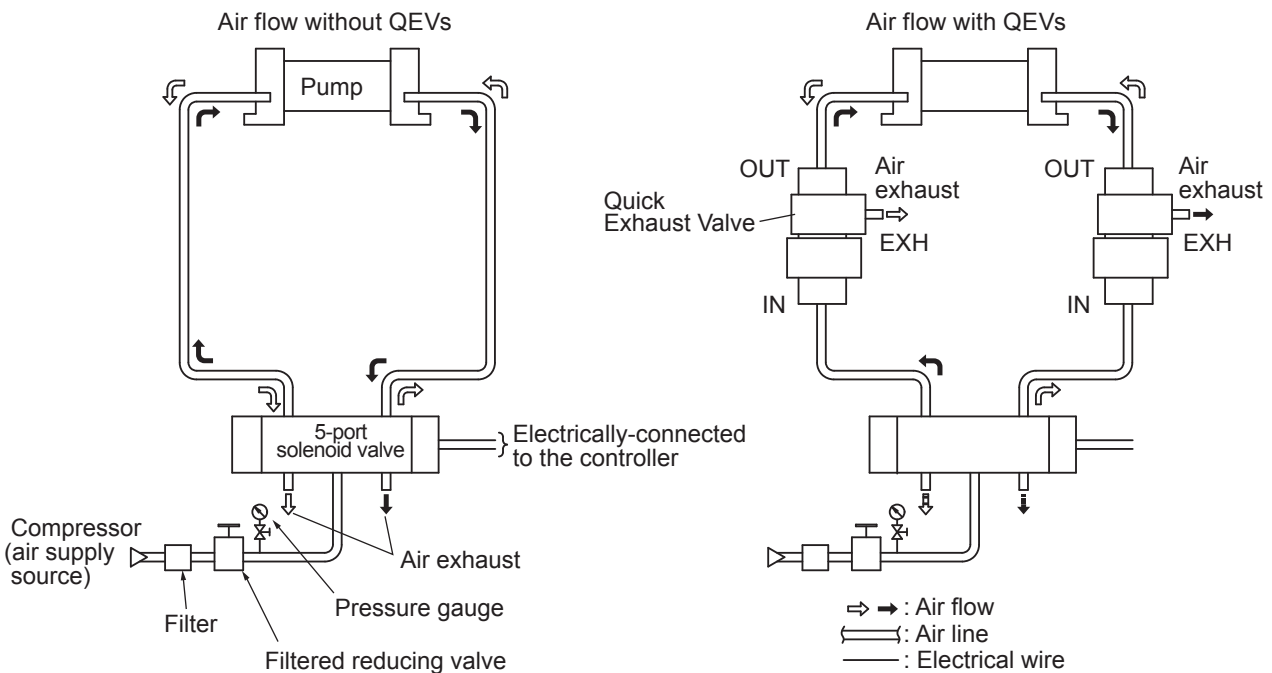
Supply air pressure	Air line length	FS-15H	FS-30H/-60H
0.31-0.5MPa	1m or less	I.D.6.5mm or more	I.D.8mm or more
	1-3m	I.D.7.5mm or more. Or use the QEV.	I.D.9mm or more. Or use the QEV.
	3m or more	Contact us.	
Supply air pressure	Air line length	FS-15H/-30H	FS-60H
0.15-0.3MPa	1m or less	I.D.6.5mm or more	I.D.8mm or more
	1-3m	I.D.7.5mm or more. Or use the QEV.	I.D.9mm or more. Or use the QEV.
	3m or more	Contact us.	

*Right and left air line length should be equal. Extremely different length can make pulsation big and can affect flow.

f. QEV

The exhausted gas from the pump, which may be corrosive, is expelled via the SV. Install a QEV between the pump and the SV to expel the corrosive gas and protect the SV as necessary. The QEV should be positioned as close to the pump as possible (within 1m from the pump).

Air flow



*The quick exhaust valve has IN, OUT and EXH ports (stamped on the valve.). Connect air lines accordingly. Air leak and failure may result if the lines connected improperly.

g. The air line between the QEV and the pump

Keep the line length to 1m or less. The optimal air line I.D. changes with the supply air pressure and the pump model. See below.

Supply air pressure	FS-15H	FS-30H	FS-60H
0.31-0.5MPa	I.D. 6mm or more	I.D. 8mm or more	I.D. 12mm or more
0.15-0.3MPa	I.D. 5mm or more	I.D. 7mm or more	I.D. 9mm or more

Composite effective cross-sectional area

■ Effective cross-sectional area

1. Pneumatic devices

When air is sent through an air line, air cannot flow fully to the actual cross-sectional area due to piping resistance. In the field of pneumatic devices, the term “Effective cross-sectional area” is used to indicate actual air flow. The air flow increases as effective cross-sectional area becomes larger.

*For detail of effective cross-sectional area at each pneumatic device, see the catalogue issued by each manufacturers.

2. Composite effective cross-sectional area

Pneumatic devices are connected in series with the pump. Composite effective cross-sectional area of the entire system is calculated from the following formula.

$$\frac{1}{S^2} = \frac{1}{S1^2} + \frac{1}{S2^2} + \dots + \frac{1}{Sn^2}$$

S : Composite effective cross-sectional area (mm²)

Sn: Effective cross-sectional area of each pneumatic device (mm²)

See the catalogues issued by device/pipe manufacturers for each effective cross-sectional area.

Effective cross-sectional area on the exhaust side (OUT→EXH)

QEV-8V quick exhaust valve (FS-15H/-30H): 33mm²

QEV-10V quick exhaust valve (FS-60H): 33mm²

Minimum composite effective cross-sectional area:

Supply air pressure	FS-15H	FS-30H	FS-60H
0.31-0.5MPa	10.7mm ²	17.4mm ²	26.2mm ²
0.15-0.3MPa	9mm ²	14mm ²	22mm ²

■ Preventive measures against condensation

If condensation is likely to occur in the air lines between the pump and SV, take the following preventive measures.

- Reduce supply air pressure as much as possible (Reduce stroke rate.).
- Provide a heat insulator over the air line.
- Feed the heated and compressed air to the pump. Observe the temperature limits of pipe/tube materials, joints, SV and other component parts.

Electric wiring

Two 5-port double solenoid valves and the FDC-1 controller is required.

! Points to be observed

Observe the following points during wiring work.

- Electrical work should be performed by a qualified electrician. Always observe applicable codes or regulations.
- Do not perform wiring work while the power is on. Otherwise, an electrical shock or short circuit may result. Be sure to turn off power before wiring work.
- Standard proximity switches can not be used when a flammable liquid such as solvent is pumped. The proximity switches must be in explosion-proof specifications. Contact us or your nearest dealer.
- Standard electrodes can not be used when a flammable liquid such as solvent is pumped. A spark in a solvent may cause a fire.

Installation

■ Lead wires

5m proximity switch lead wires and 5m leak sensor lead wires are originally built in the pump but then other lead wires for the connection between the controller and pneumatic devices are not provided. Purchase separately.

Lead wires	Required spec
FDC-1 controller power lead	115V 0.24A or more
Connection between the 5-port SV and the FDC-1 controller	24V 0.24A or more

■ Extension of leak sensor wires

Always keep resistance 5k Ω or less. Otherwise, the leak sensor does not work properly.

■ Installation of proximity switch wires

Do not lay on these wires in parallel with the power lead or combine them in a concentric cable (ex. 5 wires cable). Otherwise, system malfunction may result.

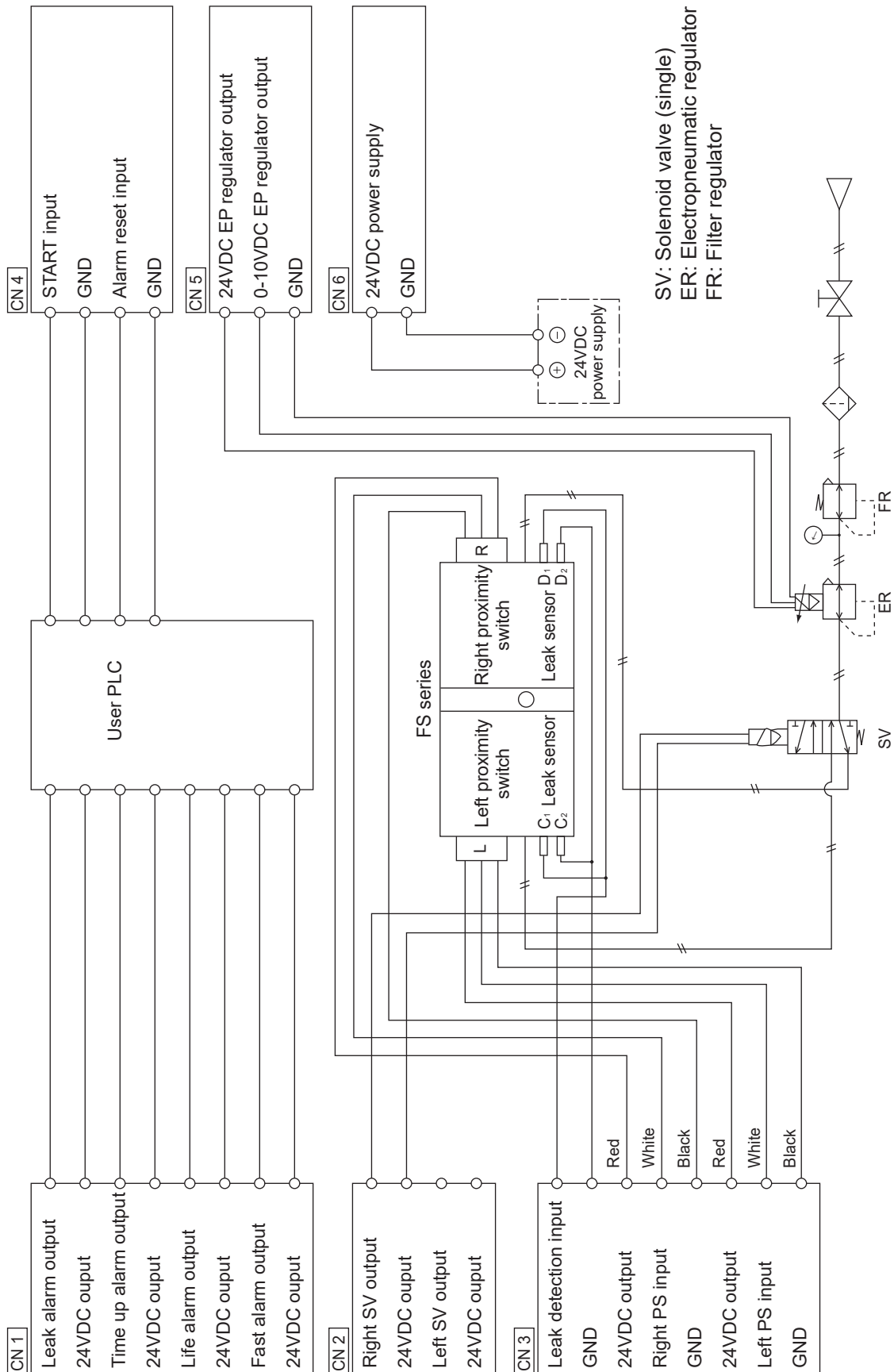
■ Extension of proximity switch wires

When extending a proximity switch wire, select the following cable spec depending on cable length.

Wire length	Wire spec
Shorter than 30m	0.3mm ² or more
30m or longer	100 Ω /km or less (conductor resistance)

Wiring diagram

Turn off the FDC-1 controller before wiring is performed. See the instruction manual of the FDC-1 controller as necessary.



Operation

This section describes pump operation and programming. Run the pump after pipework and wiring are completed.

Before operation

Always check the following items before the first-time operation or resuming operation after a long period of stoppage.

- 1** Check if electric wiring is made correctly.
Check the wiring of proximity switches, leak sensors, solenoid valves, and electropneumatic regulators.

NOTE

A proximity switch may break. Always ensure correct wiring.

- 2** Check if air piping is made correctly.

- 3** Check if the pump is anchored securely.

- 4** Check if liquid piping is made correctly.

- 5** Check if a suction and a discharge line is open.

- 6** Check for a liquid level in the supply tank.

- 7** Check if the filter is wet.

NOTE

See manufacturer's manual for detail.

Pump operation

The start/stop of the pump is controlled by the FDC-1 controller in MANU mode or a user PLC in AUTO mode. The procedure below is the example of starting the pump by keypad operation with the FDC-1.

! Points to be observed

Before operation in your system, conduct a trial run with pure water (or chemical liquid) to flush out particles or to measure metal ion level.

Starting the pump

1 Supply air to the pump and open supply air lines.

Set the regulator to keep the allowable range of supply air pressure as shown below.

Supply air pressure	Liquid temperature
0.15-0.5MPa	5-50°C
0.15-0.3MPa	51-100°C
0.15-0.2MPa	101-180°C

NOTE

Set an opening of an air valve in order for the pump not to run over the maximum stroke rate under dry running.

2 Push the ENTER key, and then use the SELECT key to choose the option of "START".

3 Push the ENTER key, and then use the SELECT key to choose the option of "FLOW1" or "FLOW2".

4 Push the ENTER key.

The pump starts to run with a flashing blue LED on the controller.

Flow rate adjustment

- 1 Use the air valve to adjust the supply air pressure/flow rate and determine a liquid flow.

Stoppage

Points to be observed

- Before stopping the pump, release the pressure from the discharge line. Otherwise, the bellows may deform.
- Do not close a discharge valve as stopping the pump. An impact pressure may deform the bellows or a connecting plate.

- 1 Push the ENTER key, and then use the SELECT key to choose the option of "STOP".

- 2 Push the ENTER key.
The pump stops running. The blue LED goes off.

NOTE

If you notice any abnormal or dangerous conditions, suspend operation immediately and inspect/solve problems. See the "Troubleshooting" section as necessary.

Maintenance

This section describes troubleshooting, inspection, specification and dimensions.

! Points to be observed

Observe the following points during maintenance work.

- Observe instructions in this manual for maintenance, inspection, dismantlement and assembly. Do not dismantle the pump beyond the extent of the instructions.
- Always wear protective clothing such as an eye protection, chemical resistant gloves, a mask and a face shield during disassembly, assembly or maintenance work. The specific solution will dictate the degree of protection. Refer to MSDS precautions from the solution supplier.
- Solution in the discharge line may be under pressure. Release the pressure from the discharge line before disconnecting plumbing or disassembly of the pump to avoid solution spray.
- Risk of electrical shock. Be sure to turn off power to stop the pump and related devices before service is performed.
- Before stopping the pump, release the pressure from the discharge line. Otherwise, the bellows may deform.
- Do not close a discharge valve as stopping the pump. An impact pressure may deform the bellows or a connecting plate.

Troubleshooting

First check the following points. If the following measures do not help remove problems, contact your distributor.

States	Possible causes	Points to be checked	Solutions
The pump does not run.	Switch-over failure of the solenoid valve (SV)	-	<ul style="list-style-type: none"> • Inspect, repair or replace as necessary. • Use a QEV if corrosive gas affects the SV.
	Improper wiring or the disconnection of the proximity switches.	<ul style="list-style-type: none"> ○ If wiring is done according to each device manual. ○ Air lines and electrical wiring 	<ul style="list-style-type: none"> • Inspect/correct wiring. • Replace as necessary.*
	Bellows rupture (Leak alarm output)	<ul style="list-style-type: none"> ○ Supply air pressure ○ Stroke rate ○ Liquid temperature ○ If discharge line pressure is released as soon as the pump stops. ○ Air line I.D. and length ○ Closed suction line 	<ul style="list-style-type: none"> • Replace the bellows if damaged.*
	Incorrect air line piping	<ul style="list-style-type: none"> ○ Both right and left air lines 	<ul style="list-style-type: none"> • Correct as necessary.

*Solutions marked with * are conducted by us.

States	Possible causes	Points to be checked	Solutions
	Rising discharge pressure	○ Filter for clogging	● Check or replace the filter as necessary.
		○ If a filter is wet.	● Wet the filter.
	Supply air pressure or air flow is too low.	○ Closed discharge line	● Open the discharge line.
		○ Minimum operating pressure of the SV	● Observe the minimum operating pressure.
Leak sensor malfunction	○ If proper air line I.D. is selected if two or more pumps are installed.	● Adjust the regulator set pressure as necessary.	
	○ If the pump is wet.	● Keep the pump dry.	
Liquid can not be pumped up.	○ If supply air is dry.	● Keep the supply air dry.	
	A check valve is clogged with foreign matters.	○ Check if operation is unstable.	● Install a guard filter in a suction line. Clean or replace the pump.*
	A check valve or a valve seat is worn.	○ Check if operation is unstable.	● Clean or replace the pump.*
Flow rate is reduced.	A suction line is closed.	○ Check for a closed suction line.	● Open the suction line.
	Supply air pressure or air flow is too low.	○ If proper air line I.D. is selected if two or more pumps are installed.	● Observe the minimum operating pressure. ● Adjust the regulator set pressure as necessary.
	Discharge pressure increment	○ Filter for clogging. ○ If a filter is wet. ○ If discharge line is open.	● Replace as necessary ● Perform degassing. ● Open the discharge line.
	A check valve is clogged with foreign matters.	○ Check if operation is unstable.	● Install a guard filter in a suction line. Clean or replace pump head*
	A check valve or a valve seat is worn.	○ Check if operation is unstable.	● Clean or replace pump head*
	A discharge valve is clogged with foreign matters.	○ A discharge valve for clogging.	● Clean or replace the discharge valve.
Insufficient NPSHa (Net positive suction head available)	○ Air line I.D. and length	● Review suction conditions.	

*Solutions marked with * are conducted by us.

States	Possible causes	Points to be checked	Solutions
Liquid leaks.	Bellows rupture	<ul style="list-style-type: none"> ○ Supply air pressure ○ Stroke rate ○ Liquid temperature ○ If discharge line pressure is released as soon as the pump stops. ○ Air line I.D. and length ○ Closed suction line 	<ul style="list-style-type: none"> ● Check or replace the pump head bellows unit as necessary*
Excessive air consumption.	A shaft packing is worn.	-	<ul style="list-style-type: none"> ● Replace as necessary.*
	Stud bolts are loose.	-	<ul style="list-style-type: none"> ● Tighten stud bolts with rated torque. See next page.
Unbalanced pump operation	A pump head valve or a valve seat is worn.	-	<ul style="list-style-type: none"> ● Check, clean or replace the pump*.
	Switch-over failure of the SV	<ul style="list-style-type: none"> ○ Observe the minimum operation pressure of the SV. 	<ul style="list-style-type: none"> ● Inspect, repair or replace the solenoid valve.
Excessive vibration or noise	Loose pump fixation	-	<ul style="list-style-type: none"> ● Tighten anchor bolts.
	Stroke rate is too high.	<ul style="list-style-type: none"> ○ Observe the maximum stroke rate. 	<ul style="list-style-type: none"> ● Reduce supply air pressure or air flow.
Foreign matters from the pump outlet	Chemical crystal, wafer or check valve fragments (through long time operation)	-	<ul style="list-style-type: none"> ● Do not send a liquid that crystallizes by nature. ● Clean or replace pump head.* ● Install a guard filter in a suction/discharge line.

*Solutions marked with * are conducted by us.

Inspection

Perform daily and periodic inspection to keep pump performance and safety.

Daily inspection

Check for a leak or any other abnormality during operation. If you notice any abnormal conditions, stop operation immediately and remove problems according to the "Troubleshooting" section. Replacement of wear parts is necessary at periodic intervals. Contact us or your nearest distributor.

No.	Points to be checked	Remarks
1	Stroke rate	Observe the maximum stroke rates at each supply air pressure and the pump model. See below.
2	Regulator set pressure	Observe the supply air pressure range at each liquid temperature.
3	Air flow rate	Use a flow meter. Observe the maximum air consumption.
4	A leak from an air or liquid line	Check line connections
5	Supply air cleanness	Keep supply air clean.

*The supply air pressure range changes with liquid temperature. See page 35 for detail.

Max stroke rates

Supply air pressure	FS-15H	FS-30H	FS-60H
0.31-0.5MPa	180spm	180spm	180spm
0.15-0.3MPa	240spm	220spm	200spm

Periodic inspection

Check the following items every month.

1. Stroke rate reduction

A stroke rate reduces as air leaks. The wear of the shaft packing is a cause of air leak. Replace as necessary.

*Replacement of the shaft packing should be conducted by Iwaki.

2. Air and liquid leak

If air or liquid leak is detected from the pump, release the discharge pressure and the supply air pressure, and leave the pump until it cools down to ambient. Then retighten the stud bolts by the following torque.

Model	Tightening torque	Model	Tightening torque
FS-15HT1	9.8N•m	FS-15HT2	5.4N•m
FS-30HT1	15.7N•m	FS-30HT2	6.4N•m
FS-60HT1	21.6N•m	FS-60HT2	8.3N•m

3. Valve assembly and bellows

Valve assembly and bellows are wear parts and need to be replaced at the end of their estimated life or when their performance deteriorates.

*Life span at each wear part differs with a liquid handled and operating condition.

*Valve assembly and bellows replacement should be conducted by Iwaki.

4. Pump operation after a long period of suspension

Supply the air to the pump (approx. 0.2MPa) and confirm there is no air leakage from the outlet before operation.

Wear part list

To run the pump for a long period, wear parts need to be replaced periodically or when pump performance has reduced. Contact your distributor with the following information for wear part replacement.

1. Part names and part number (See the "Part names" section on page 40 or later.)
2. Pump model identification code and manufacturing number (See pump nameplate.)
3. Drawing number if you have our approval drawing

Model	Parts number	Part names	Q'ty	Estimated life
FS-15HT1/-30HT1/-60HT1	1, 2, 4, 5, 6	Pump head unit	1	2 years
	3	Bellows	2	
	23	Lip seal	2	
FS-15HT2/-30HT2/-60HT2	1, 2, 3, 4, 5, 6	Pump head-bellows unit	1	
	23	Lip seal	2	

*1. The estimated life span varies with operating conditions and is not warranted.

*2. Q'ty shows the number of parts.

Specification/Outer dimension

Specification

Information in this section is subject to change without notice.

■ FS-15 H T 1 or 2

	Items	Spec		
Operating conditions	Ambient temp/humidity	0-40°C (non-freezing) / 35-95%RH (non-condensing)		
	Storage temp/humidity	-10 - 60°C (non-freezing) / 35-95%RH (non-condensing)		
	Driving method	Pneumatic drive		
	Liquid line connection I.D.	1/2" PFA TUBE (I.D.9.52mm × O.D.12.7mm)		
	Supply air line connection I.D.	Rc1/4"		
Performance	Max. flow rate* ¹	15L/min		
	Liquid temperature	5-50°C	51-100°C	101-180°C
	Supply air pressure	0.15-0.5MPa	0.15-0.3MPa	0.15-0.2MPa
	Max. air consumption	200NL/min	160NL/min	110NL/min
	Max. stroke rate* ²	240spm		
	Suction lift* ³	1m		
Proximity detector	Type	Inductive proximity sensor		
	Model (Manufacturer)	APS4-12U-E (KOYO ELECTRONICS INDUSTRIES)		
	Output	NPN open collector		
	Supply voltage	12-24VDC, Ripple (p-p): 10% or less		
	Lead wire length	1m		
Leak sensor	Detection method	Electrode		
	Materials of detection part	SUS304		
	Lead wire length	2m		

*1. The maximum flow rate is based on pumping clean water of 20°C.

*2. The 240spm represents the max stroke rate at the supply air pressure of 0.15-0.3MPa. It decreases to 180spm at the 0.31-0.5MPa range.

*3. The suction lift is based on pumping clean water at an ambient temperature and the maximum spm.

■ FS-30 H T 1 or 2

	Items	Spec		
Operating conditions	Ambient temp/humidity	0-40°C (non-freezing) / 35-95%RH (non-condensing)		
	Storage temp/humidity	-10 - 60°C (non-freezing) / 35-95%RH (non-condensing)		
	Driving method	Pneumatic drive		
	Liquid line connection I.D.	PFA TUBE (I.D.16mm × O.D.19mm)		
	Supply air line connection I.D.	Rc1/4"		
Performance	Max. flow rate* ¹	30L/min		
	Liquid temperature	5-50°C	51-100°C	101-180°C
	Supply air pressure	0.15-0.5MPa	0.15-0.3MPa	0.15-0.2MPa
	Max. air consumption	370NL/min	280NL/min	170NL/min
	Max. stroke rate* ²	220spm		
	Suction lift* ³	1m		
Proximity detector	Type	Inductive proximity sensor		
	Model (Manufacturer)	APS4-12U-E (KOYO ELECTRONICS INDUSTRIES)		
	Output	NPN open collector		
	Supply voltage	12-24VDC		
	Lead wire length	1m		
Leak sensor	Detection method	Electrode		
	Materials of detection part	SUS304		
	Lead wire length	2m		

*1. The maximum flow rate is based on pumping clean water of 20°C.

*2. The 220spm represents the max stroke rate at the supply air pressure of 0.15-0.3MPa. It decreases to 180spm at the 0.31-0.5MPa range.

*3. The suction lift is based on pumping clean water at an ambient temperature and the maximum spm.

■ FS-60 H T 1 or 2

	Items	Spec		
Operating conditions	Ambient temp/humidity	0-40°C (non-freezing) / 35-95%RH (non-condensing)		
	Storage temp/humidity	-10 - 60°C (non-freezing) / 35-95%RH (non-condensing)		
	Driving method	Pneumatic drive		
	Liquid line connection I.D.	PFA TUBE (I.D.22mm × O.D.25mm)		
	Supply air line connection I.D.	Rc1/4"		
Performance	Max. flow rate* ¹	55L/min		
	Liquid temperature	5-50°C	51-100°C	101-180°C
	Supply air pressure	0.15-0.5MPa	0.15-0.3MPa	0.15-0.2MPa
	Max. air consumption	670NL/min	440NL/min	300NL/min
	Max. stroke rate* ²	200spm		
	Suction lift* ³	2m		
Proximity detector	Type	Inductive proximity sensor		
	Model (Manufacturer)	APS4-12U-E (KOYO ELECTRONICS INDUSTRIES)		
	Output	NPN open collector		
	Supply voltage	12-24VDC, Ripple (p-p): 10% or less		
	Lead wire length	1m		
Leak sensor	Detection method	Electrode		
	Materials of detection part	SUS304		
	Lead wire length	2m		

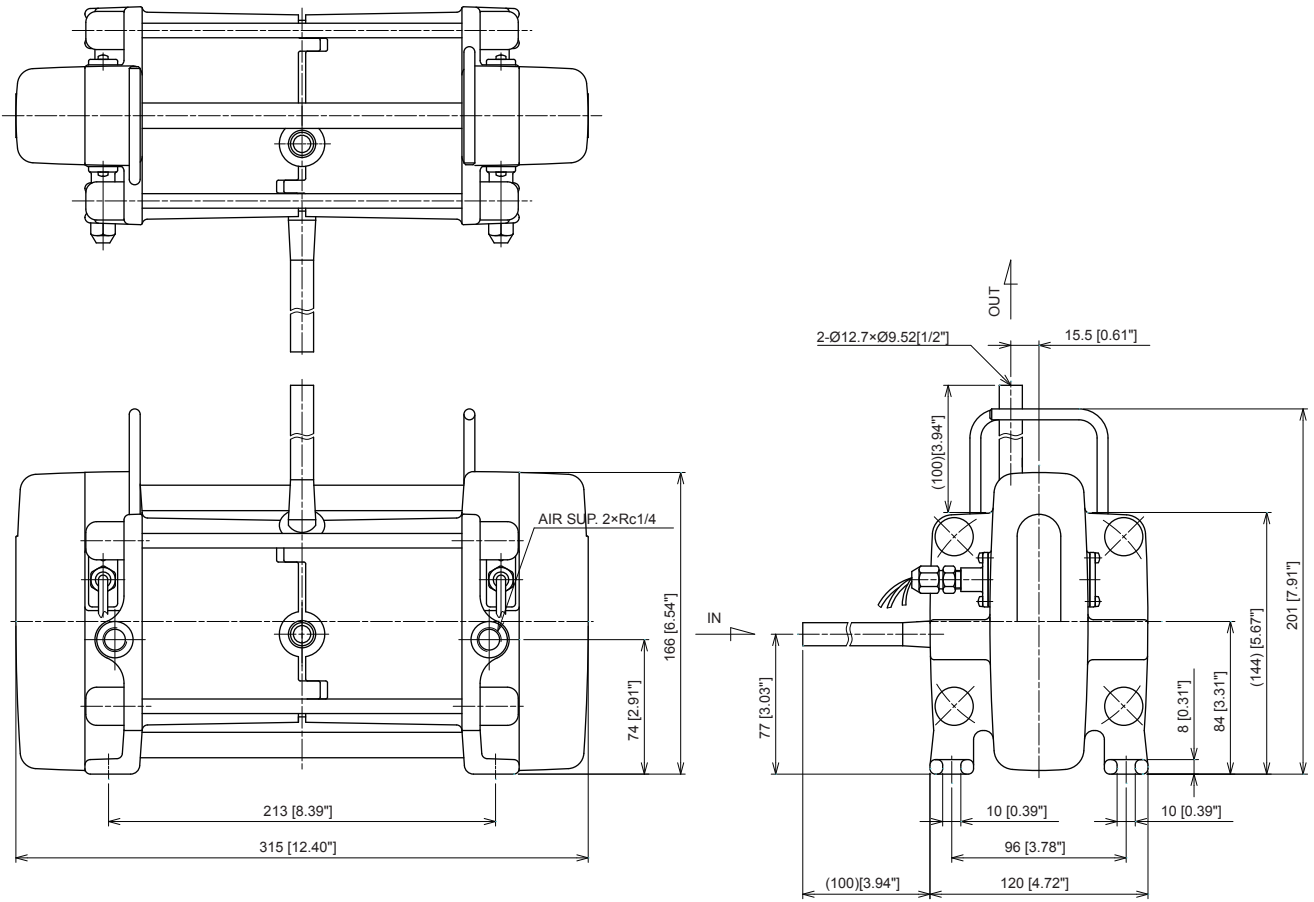
*1. The maximum flow rate is based on pumping clean water of 20°C.

*2. The 200spm represents the max stroke rate at the supply air pressure of 0.15-0.3MPa. It decreases to 180spm at the 0.31-0.5MPa range.

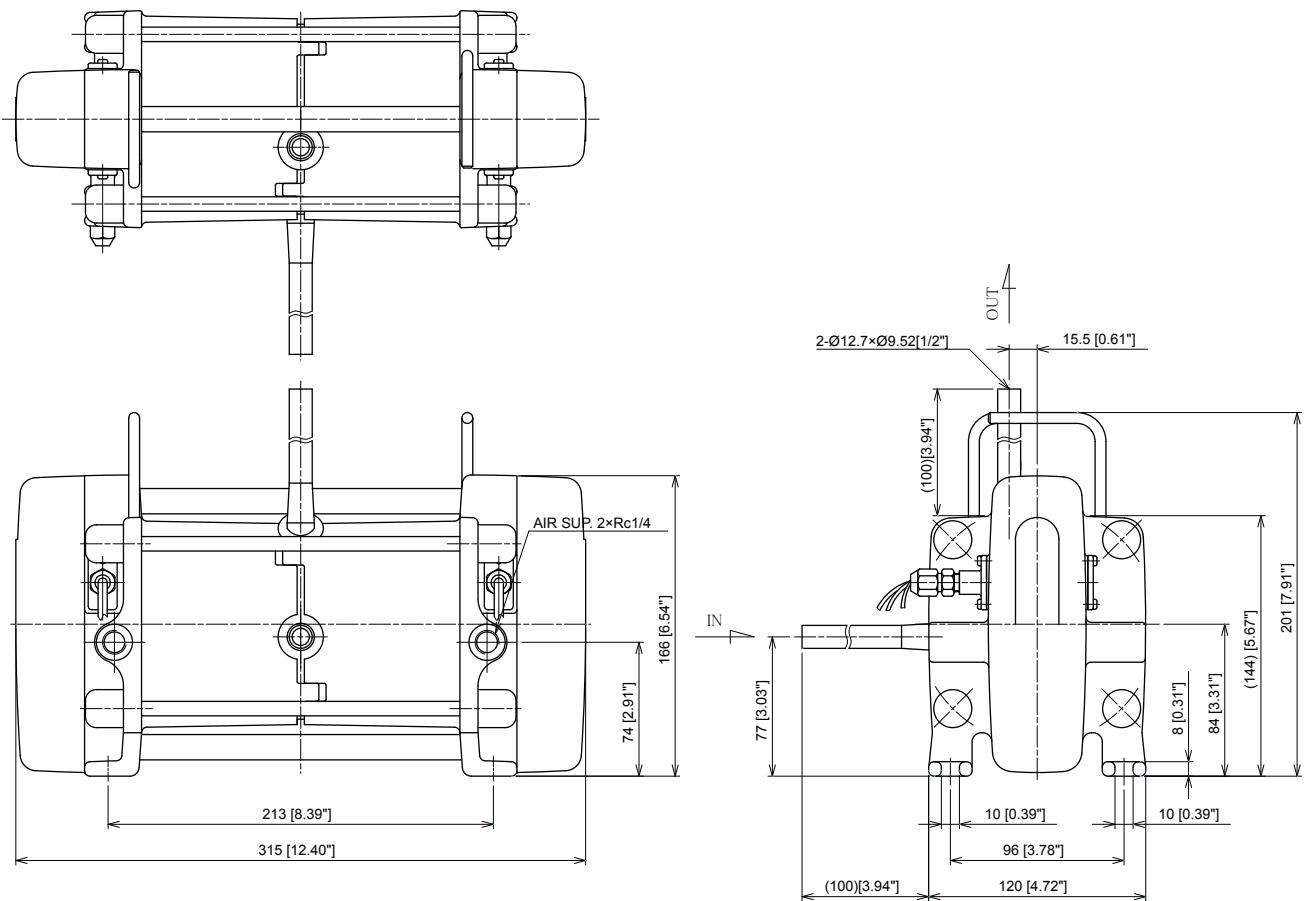
*3. The suction lift is based on pumping clean water at an ambient temperature and the maximum spm.

Outer dimension

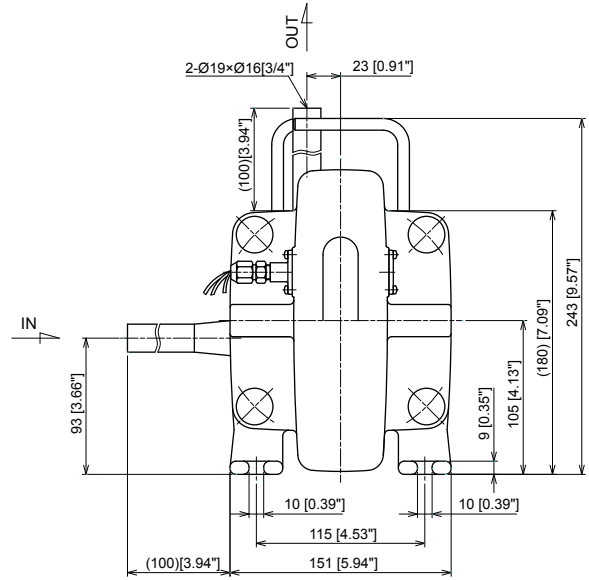
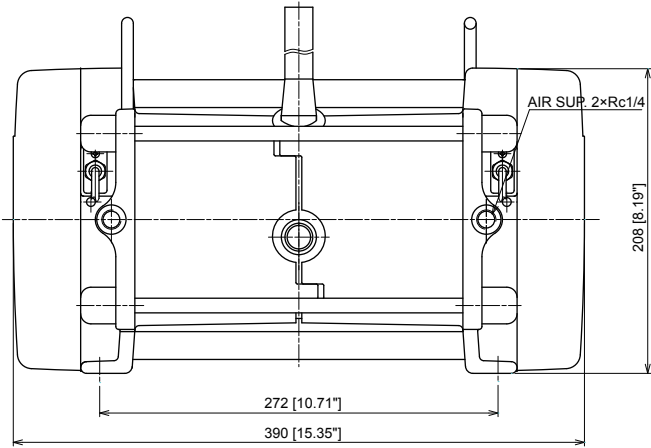
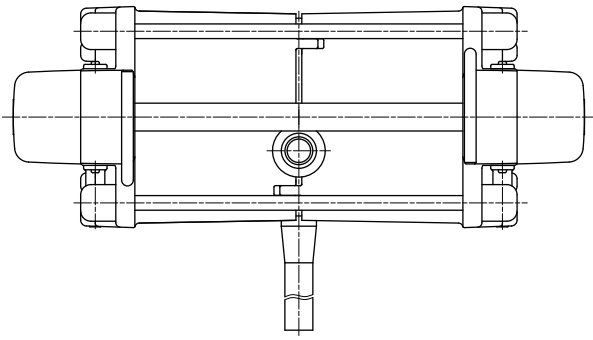
■ FS-15 H T 1



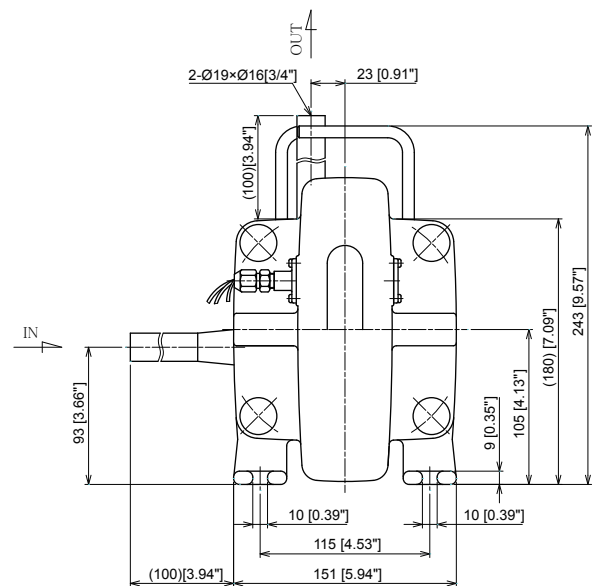
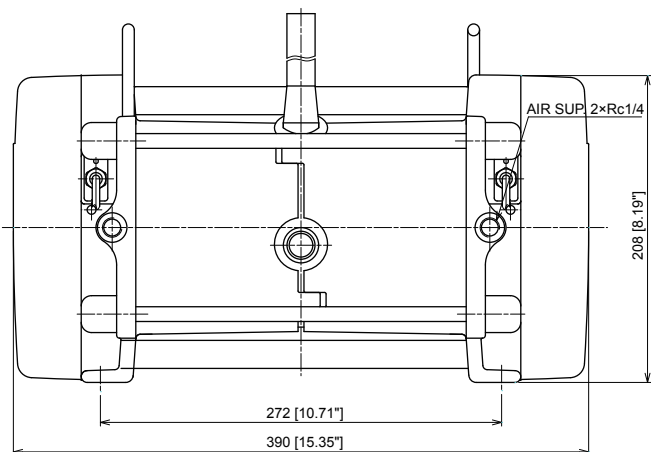
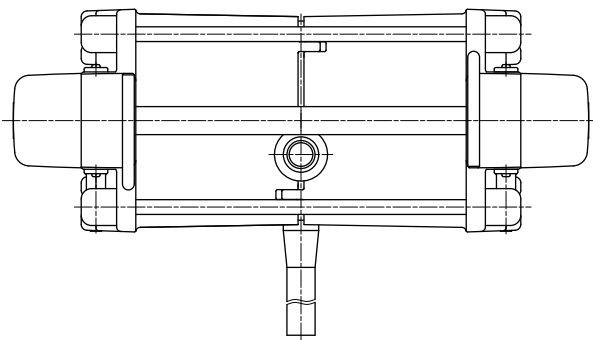
■ FF-15 H T 2



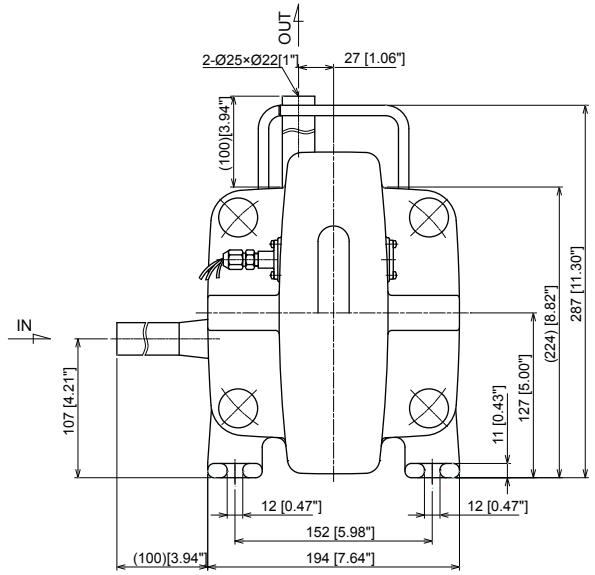
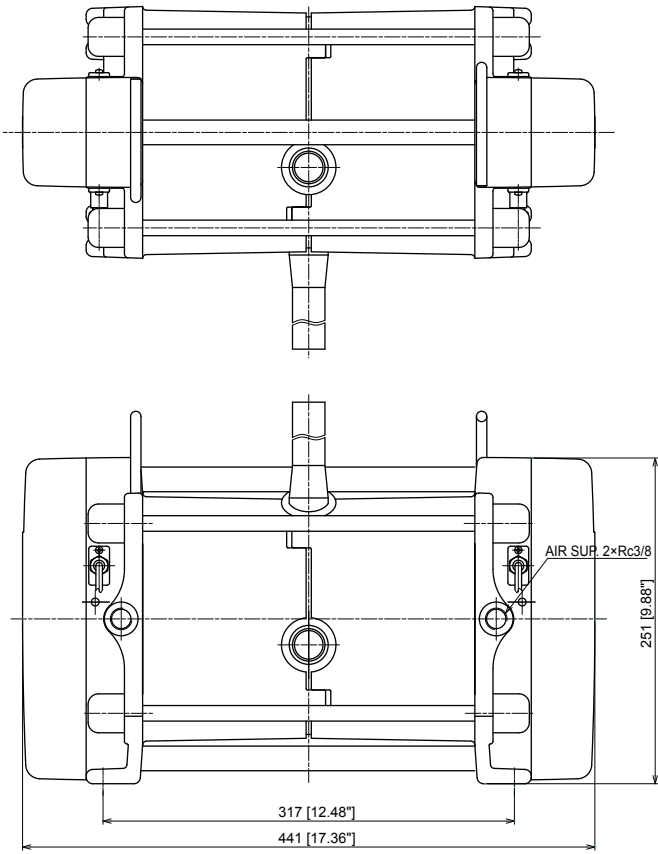
■ FS-30 H T 1



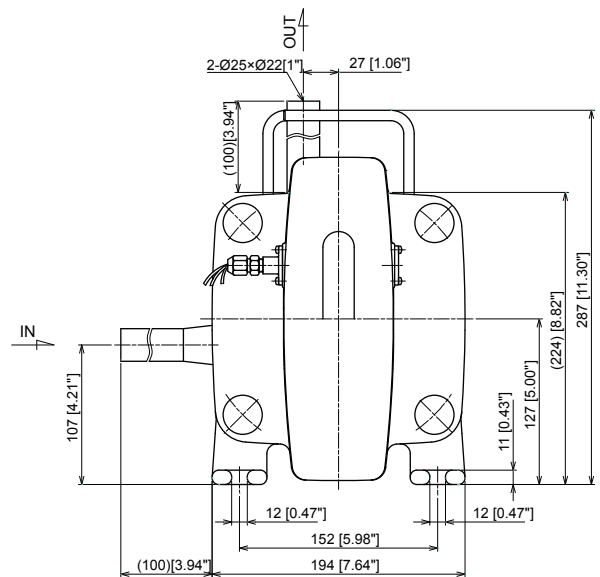
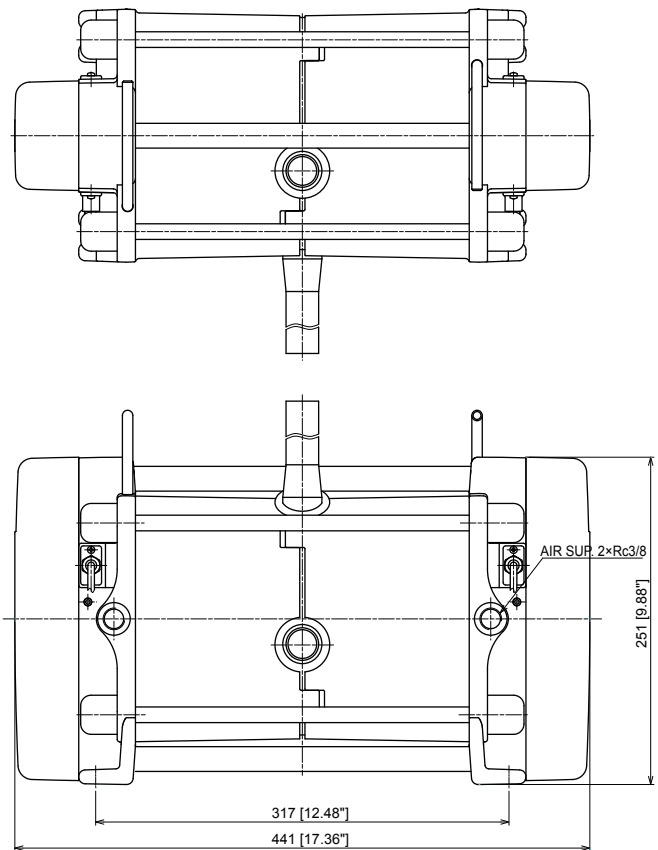
■ FS-30 H T 2



■ FS-60 H T 1

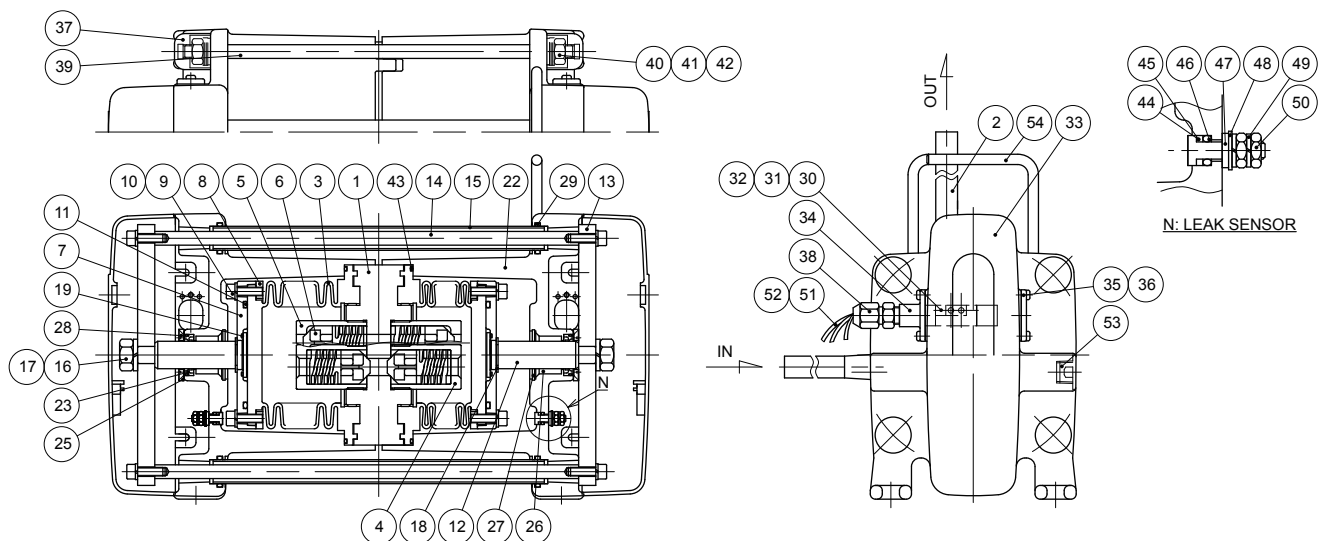


■ FS-60 H T 2



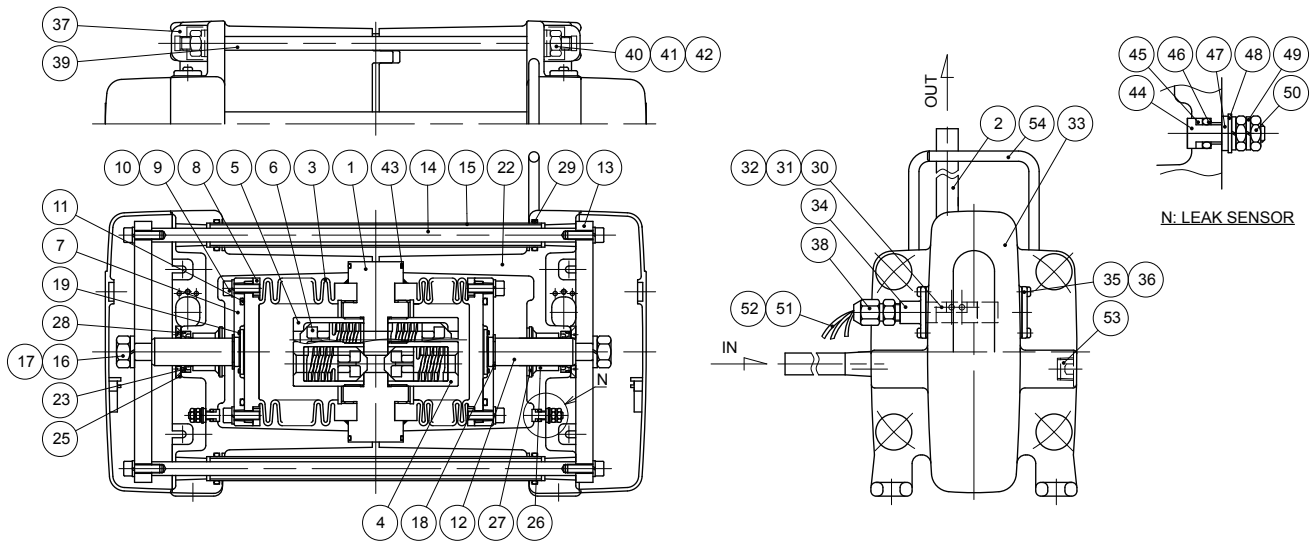
Part names

■ FS-15 H T 1



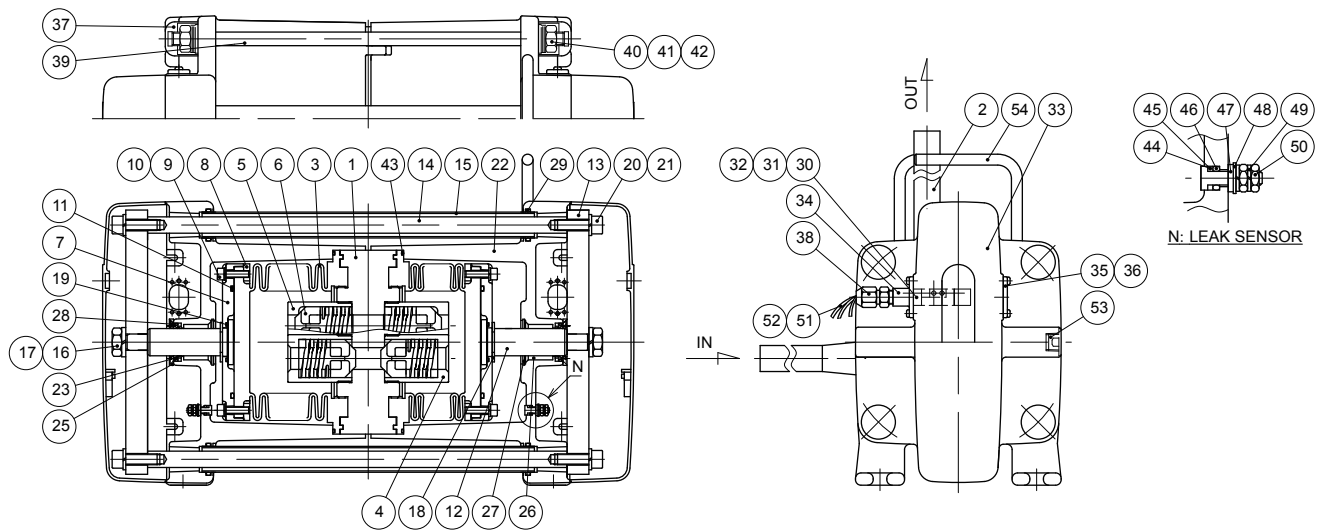
No.	Name	Q'ty	Material	Remarks	No.	Name	Q'ty	Material	Remarks
1	Pump head	1	PTFE		30	Proximity detector	2	-	
2	Tube	2	PFA		31	Screw	4	STNLS STL	M3×10
3	Bellows	2	PTFE		32	Installed base	2	SUS304	
4	Suction valve case	2	PTFE		33	Cylinder head cover	2	PPE	
5	Discharge valve case	2	PTFE		34	Switch holder A	2	PPE	
6	Valve	4	PTFE		35	Switch holder B	2	PPE	
7	Bellows plate	2	ADC12	PTFE coated	36	Screw	8	STNLS STL	M3×6 PTFE coated
8	Bellows flange	4	SUS304		37	Cap	8	PP	
9	Hex. sock cap bolt	16	STNLS STL	M5×16	38	Connector	2	PP	CP-C8-R1/8
10	Spring washer	16	STNLS STL	M5	39	Stud bolt	4	SUS304	PTFE coated
11	O ring	2	FKM	G-55	40	Hex. nut	8	STNLS STL	M8
12	Pump shaft	2	SUS304	HCP	41	Plate washer	8	STNLS STL	M8
13	Connecting plate	2	SUS304		42	Conical spring washer	24	STNLS STL	Nominal 8
14	Connecting shaft	2	SUS304		43	O ring	2	FKM	S-100
15	Shaft cover	2	SUS304	PTFE coated	44	Leak sensor	4	SUS304	
16	Hex. nut	2	STNLS STL	M10	45	Gasket	4	PTFE	
17	Spring washer	2	STNLS STL	M10	46	O ring	4	FKM	P-4
18	Stop ring	2	STNLS STL	E-12	47	Gasket C	4	PTFE	
19	O ring	4	FKM	S-22	48	Plate washer	4	STNLS STL	M4
22	Cylinder head	2	ADC12	PTFE coated	49	Spring washer	8	STNLS STL	M4
23	Lip seal	2	Filled PTFE		50	Hex. nut	8	STNLS STL	M4
25	Packing stopper	2	SUS304		51	Cord (black)	2	-	
26	Bearing	2	Filled PTFE		52	Cord (white)	2	-	
27	Stop ring	2	STNLS STL	Nominal 28	53	Cap plug	2	STNLS STL	1/4" PTFE coated
28	Screw	8	STNLS STL	M3×8	54	Handle	2	SUS304	PTFE coated
29	O ring	4	FKM	P-14					

■ FS-15 H T 2



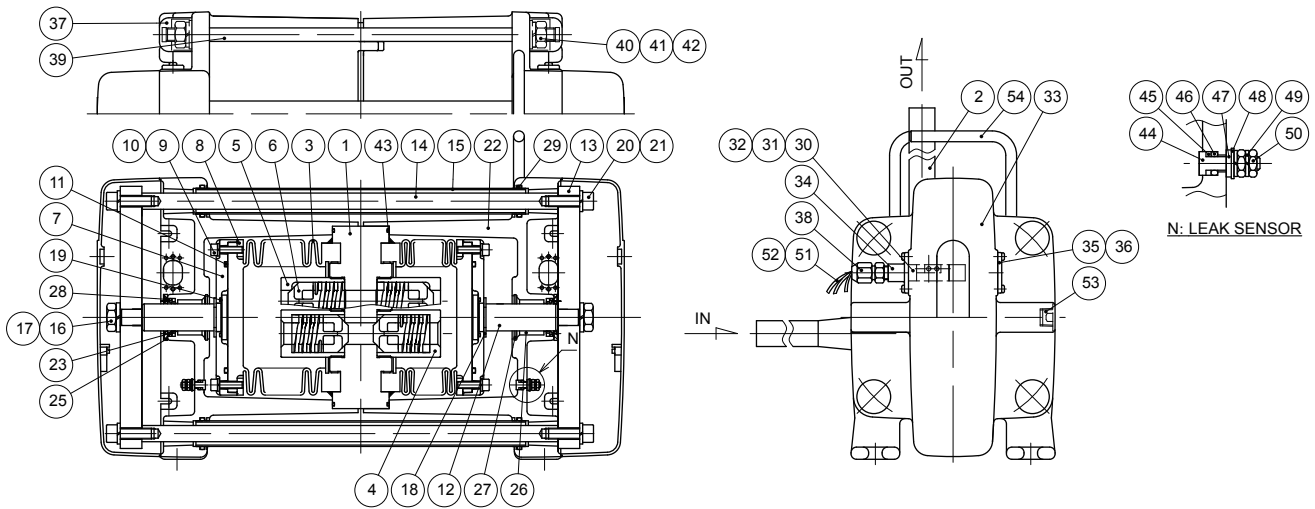
No.	Name	Q'ty	Material	Remarks	No.	Name	Q'ty	Material	Remarks
1	Pump head	1	PTFE		30	Proximity detector	2	-	
2	Tube	2	PFA		31	Screw	4	STNLS STL	M3×10
3	Bellows	2	PTFE		32	Installed base	2	SUS304	
4	Suction valve case	2	PTFE		33	Cylinder head cover	2	PPE	
5	Discharge valve case	2	PTFE		34	Switch holder A	2	PPE	
6	Valve	4	PTFE		35	Switch holder B	2	PPE	
7	Bellows plate	2	ADC12	PTFE coated	36	Screw	8	STNLS STL	M3×6 PTFE coated
8	Bellows flange	4	SUS304		37	Cap	8	PP	
9	Hex. sock cap bolt	16	STNLS STL	M5×16	38	Connector	2	PP	CP-C8-R1/8
10	Spring washer	16	STNLS STL	M5	39	Stud bolt	4	SUS304	PTFE coated
11	O ring	2	FKM	G-55	40	Hex. nut	8	STNLS STL	M8
12	Pump shaft	2	SUS304	HCP	41	Plate washer	8	STNLS STL	M8
13	Connecting plate	2	SUS304		42	Spring washer	8	STNLS STL	M8
14	Connecting shaft	2	SUS304		43	O ring	2	FKM	S-100
15	Shaft cover	2	SUS304	PTFE coated	44	Leak sensor	4	SUS304	
16	Hex. nut	2	STNLS STL	M10	45	Gasket	4	PTFE	
17	Spring washer	2	STNLS STL	M10	46	O ring	4	FKM	P-4
18	Stop ring	2	STNLS STL	E-12	47	Gasket C	4	PTFE	
19	O ring	4	FKM	S-22	48	Plate washer	4	STNLS STL	M4
22	Cylinder head	2	ADC12	PTFE coated	49	Spring washer	8	STNLS STL	M4
23	Lip seal	2	Filled PTFE		50	Hex. nut	8	STNLS STL	M4
25	Packing stopper	2	SUS304		51	Cord (black)	2	-	
26	Bearing	2	Filled PTFE		52	Cord (white)	2	-	
27	Stop ring	2	STNLS STL	Nominal 28	53	Cap plug	2	STNLS STL	1/4" PTFE coated
28	Screw	8	STNLS STL	M3×8	54	Handle	2	SUS304	PTFE coated
29	O ring	4	FKM	P-14					

■ FS-30 H T 1



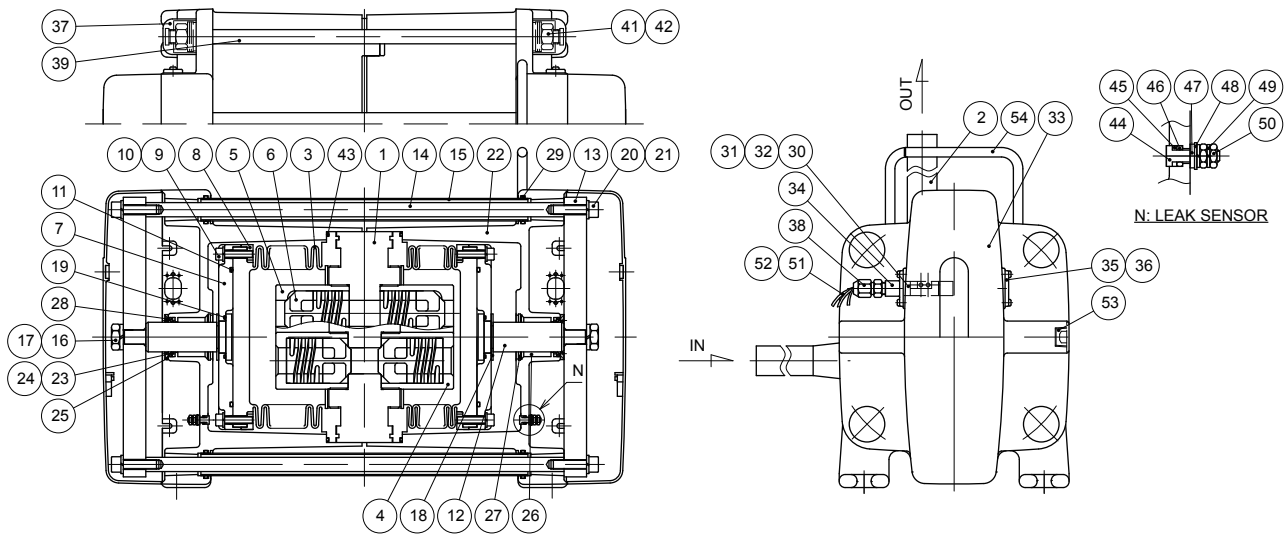
No.	Name	Q'ty	Material	Remarks	No.	Name	Q'ty	Material	Remarks
1	Pump head	1	PTFE		29	O ring	4	FKM	AS568-116
2	Tube	2	PFA		30	Proximity detector	2	-	
3	Bellows	2	PTFE		31	Screw	4	STNLS STL	M3×10
4	Suction valve case	2	PTFE		32	Installed base	2	SUS304	
5	Discharge valve case	2	PTFE		33	Cylinder head cover	2	PPE	
6	Valve	4	PTFE		34	Switch holder A	2	PPE	
7	Bellows plate	2	ADC12	PTFE coated	35	Switch holder B	2	PPE	
8	Bellows flange	4	SUS304		36	Screw	8	STNLS STL	M3×6 PTFE coated
9	Hex. sock cap bolt	12	STNLS STL	M5×18	37	Cap	8	PP	
10	Spring washer	12	STNLS STL	M5	38	Connector	2	PP	CP-C8-E1/8
11	O ring	2	FKM	G-75	39	Stud bolt	4	SUS304	PTFE coated
12	Pump shaft	2	SUS304	HCP	40	Hex. nut	4	STNLS STL	M10
13	Connecting plate	2	SUS304		41	Plate washer	8	STNLS STL	M10
14	Connecting shaft	2	SUS304		42	Conical spring washer	24	STNLS STL	Nominal 10
15	Shaft cover	2	SUS304	PTFE coated	43	O ring	2	FKM	S-130
16	Hex. nut	2	STNLS STL	M12	44	Leak sensor	4	SUS304	
17	Spring washer	2	STNLS STL	M12	45	Gasket	4	PTFE	
18	Stop ring	2	STNLS STL	E-15	46	O ring	4	FKM	P-4
19	O ring	4	FKM	S-25	47	Gasket C	4	PTFE	
20	Hex. sock cap bolt	4	STNLS STL	M8×25	48	Plate washer	4	STNLS STL	M4
21	Spring washer	4	STNLS STL	M8	49	Spring washer	8	STNLS STL	M4
22	Cylinder head	2	ADC12	PTFE coated	50	Hex. nut	8	STNLS STL	M4
23	Lip seal	2	Filled PTFE		51	Cord (black)	2	-	
25	Packing stopper	2	SUS304		52	Cord (white)	2	-	
26	Bearing	2	Filled PTFE		53	Cap plug	2	STNLS STL	1/4" PTFE coated
27	Stop ring	2	STNLS STL	Nominal 32	54	Handle	2	SUS304	PTFE coated
28	Screw	8	STNLS STL	M3×8					

■ FS-30 H T 2



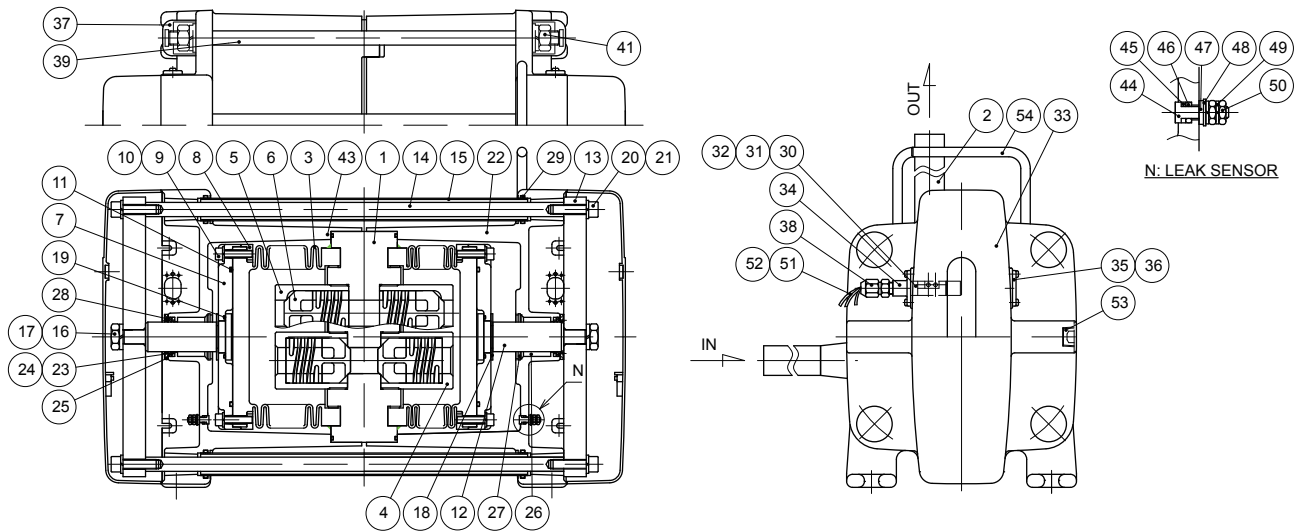
No.	Name	Q'ty	Material	Remarks	No.	Name	Q'ty	Material	Remarks
1	Pump head	1	PTFE		29	O ring	4	FKM	AS568-116
2	Tube	2	PFA		30	Proximity detector	2	-	
3	Bellows	2	PTFE		31	Screw	4	STNLS STL	M3×10
4	Suction valve case	2	PTFE		32	Installed base	2	SUS304	
5	Discharge valve case	2	PTFE		33	Cylinder head cover	2	PPE	
6	Valve	4	PTFE		34	Switch holder A	2	PPE	
7	Bellows plate	2	ADC12	PTFE coated	35	Switch holder B	2	PPE	
8	Bellows flange	4	SUS304		36	Screw	8	STNLS STL	M3×6 PTFE coated
9	Hex. sock cap bolt	12	STNLS STL	M5×18	37	Cap	8	PP	
10	Spring washer	12	STNLS STL	M5	38	Connector	2	PP	CP-C8-R1/8
11	O ring	2	FKM	G-75	39	Stud bolt	4	SUS304	PTFE coated
12	Pump shaft	2	SUS304	HCP	40	Hex. nut	8	STNLS STL	M10
13	Connecting plate	2	SUS304		41	Plate washer	8	STNLS STL	M10
14	Connecting shaft	2	SUS304		42	Spring washer	8	STNLS STL	M10
15	Shaft cover	2	SUS304	PTFE coated	43	O ring	2	FKM	S-130
16	Hex. nut	2	STNLS STL	M12	44	Leak sensor	4	SUS304	
17	Spring washer	2	STNLS STL	M12	45	Gasket	4	PTFE	
18	Stop ring	2	STNLS STL	E-15	46	O ring	4	FKM	P-4
19	O ring	4	FKM	S-25	47	Gasket C	4	PTFE	
20	Hex. sock cap bolt	4	STNLS STL	M8×25	48	Plate washer	4	STNLS STL	M4
21	Spring washer	4	STNLS STL	M8	49	Spring washer	8	STNLS STL	M4
22	Cylinder head	2	ADC12	PTFE coated	50	Hex. nut	8	STNLS STL	M4
23	Lip seal	2	Filled PTFE		51	Cord (black)	2	-	
25	Packing stopper	2	SUS304		52	Cord (white)	2	-	
26	Bearing	2	Filled PTFE		53	Cap plug	2	STNLS STL	1/4" PTFE coated
27	Stop ring	2	STNLS STL	Nominal 32	54	Handle	2	SUS304	PTFE coated
28	Screw	8	STNLS STL	M3×8					

■ FS-60 H T 1



No.	Name	Q'ty	Material	Remarks	No.	Name	Q'ty	Material	Remarks
1	Pump head	1	PTFE		28	Screw	8	STNLS STL	M3×8
2	Tube	2	PFA		29	O ring	4	FKM	AS568-116
3	Bellows	2	PTFE		30	Proximity detector	2	-	
4	Suction valve case	2	PTFE		31	Screw	4	STNLS STL	M3×10
5	Discharge valve case	2	PTFE		32	Installed base	2	SUS304	
6	Valve	4	PTFE		33	Cylinder head cover	2	PPE	
7	Bellows plate	2	ADC12	PTFE coated	34	Switch holder A	2	PPE	
8	Bellows flange	4	SUS304		35	Switch holder B	2	PPE	
9	Hex. sock cap bolt	16	STNLS STL	M6×25	36	Screw	8	STNLS STL	M3×6 PTFE coated
10	Spring washer	16	STNLS STL	M6	37	Cap	8	PP	
11	O ring	2	FKM	G-110	38	Connector	2	PP	CP-C8-R1/8
12	Pump shaft	2	SUS304	HCP	39	Stud bolt	4	SUS304	PTFE coated
13	Connecting plate	2	SUS304		41	Plate washer	8	STNLS STL	M12
14	Connecting shaft	2	SUS304		42	Conical spring washer	24	STNLS STL	Nominal 12
15	Shaft cover	2	SUS304	PTFE coated	43	O ring	2	FKM	AS568-166
16	Hex. nut	10	STNLS STL	M12	44	Leak sensor	4	SUS304	
17	Spring washer	2	STNLS STL	M12	45	Gasket	4	PTFE	
18	Stop ring	2	STNLS STL	E-19	46	O ring	4	FKM	P-4
19	O ring	2	FKM	S-32	47	Gasket C	4	PTFE	
20	Hex. sock cap bolt	4	STNLS STL	M8×30	48	Plate washer	4	STNLS STL	M4
21	Spring washer	4	STNLS STL	M8	49	Spring washer	8	STNLS STL	M4
22	Cylinder head	2	ADC12	PTFE coated	50	Hex. nut	8	STNLS STL	M4
23	Lip seal	2	Filled PTFE		51	Cord (black)	2	-	
24	O ring	2	FKM	S-30	52	Cord (white)	2	-	
25	Packing stopper	2	SUS304		53	Cap plug	2	STNLS STL	3/8" PTFE coated
26	Bearing	2	Filled PTFE		54	Handle	2	SUS304	PTFE coated
27	Stop ring	2	STNLS STL	Nominal 37					

■ FS-60 H T 2



No.	Name	Q'ty	Material	Remarks	No.	Name	Q'ty	Material	Remarks
1	Pump head	1	PTFE		27	Stop ring	2	STNLS STL	Nominal 37
2	Tube	2	PFA		28	Screw	8	STNLS STL	M3×8
3	Bellows	2	PTFE		29	O ring	4	FKM	AS568-116
4	Suction valve case	2	PTFE		30	Proximity detector	2	-	
5	Discharge valve case	2	PTFE		31	Screw	4	STNLS STL	M3×10
6	Valve	4	PTFE		32	Installed base	2	SUS304	
7	Bellows plate	2	ADC12	PTFE coated	33	Cylinder head cover	2	PPE	
8	Bellows flange	4	SUS304		34	Switch holder A	2	PPE	
9	Hex. sock cap bolt	16	STNLS STL	M6×25	35	Switch holder B	2	PPE	
10	Spring washer	16	STNLS STL	M6	36	Screw	8	STNLS STL	M3×6 PTFE coated
11	O ring	2	FKM	G-110	37	Cap	8	PP	
12	Pump shaft	2	SUS304	HCP	38	Connector	2	PP	CP-C8-R1/8
13	Connecting plate	2	SUS304		39	Stud bolt	4	SUS304	PTFE coated
14	Connecting shaft	2	SUS304		41	Plate washer	8	STNLS STL	M12
15	Shaft cover	2	SUS304	PTFE coated	43	O ring	2	FKM	AS568-166
16	Hex. nut	10	STNLS STL	M12	44	Leak sensor	4	SUS304	
17	Spring washer	10	STNLS STL	M12	45	Gasket	4	PTFE	
18	Stop ring	2	STNLS STL	E-19	46	O ring	4	FKM	P-4
19	O ring	2	FKM	S-32	47	Gasket C	4	PTFE	
20	Hex. sock cap bolt	4	STNLS STL	M8×30	48	Plate washer	4	STNLS STL	M4
21	Spring washer	4	STNLS STL	M8	49	Spring washer	8	STNLS STL	M4
22	Cylinder head	2	ADC12	PTFE coated	50	Hex. nut	8	STNLS STL	M4
23	Lip seal	2	Filled PTFE		51	Cord (black)	2	-	
24	O ring	4	FKM	S-30	52	Cord (white)	2	-	
25	Packing stopper	2	SUS304		53	Cap plug	2	STNLS STL	3/8" PTFE coated
26	Bearing	2	Filled PTFE		54	Handle	2	SUS304	PTFE coated

EC DECLARATION OF CONFORMITY

A copy of the original Declaration of Conformity

(SUPPLIER'S NAME)

WE

IWAKI CO.,LTD.

(ADDRESS)

6-6 2-CHOME KANDA-SUDACHO CHIYODA-KU TOKYO JAPAN

(PRODUCT)

DECLARE UNDER OUR SOLE RESPONSIBILITY THAT THE PRODUCTS

PNEUMATIC DRIVE BELLOWS PUMP

(MODEL NAME)

FS SERIES

TO WHICH THIS DECLARATION RELATES ARE IN CONFORMITY WITH THE FOLLOWING
STANDARDS OR DIRECTIVES AS FAR AS APPLICABLE

(DIRECTIVES)

MACHINERY DIRECTIVE 2006/42/EC (ANNEX IIA)

(STANDARDS)

EN ISO12100: 2010 EN809: 1998 + A1: 2009

(A PERSON WHO IS AUTHORISED TO COMPILE THE TECHNICAL FILE IN THE
COMMUNITY)

IWAKI EUROPE GMBH

SIEMENSRING 115 D-47877 WILLICH GERMANY

NOTE: THIS DECLARATION BECOMES INVALID IF TECHNICAL OR OPERATIONAL
MODIFICATIONS ARE INTRODUCED WITHOUT THE MANUFACTURER'S CONSENT.



KAZUNARI NISHIKUBO

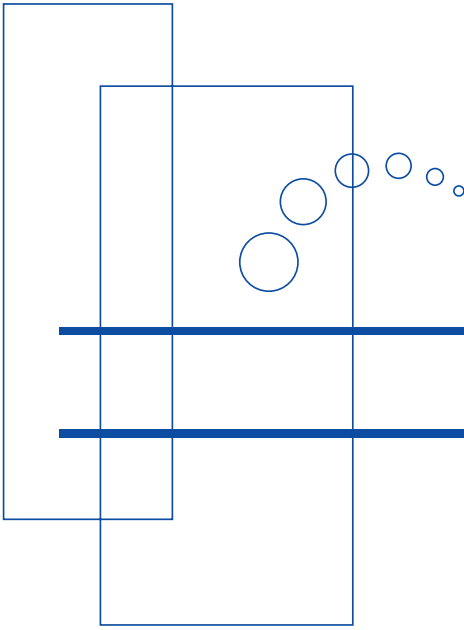
Tokyo, October 21, 2019

SENIOR GENERAL MANAGER, QUALITY ASSURANCE HEAD OFFICE

(PLACE AND DATE OF ISSUE)

(NAME AND SIGNATURE OR EQUIVALENT MARKING OF AUTHORIZED PERSON)

DOCUMENT NO. IS-51K-546-2



<https://www.iwakupumps.jp>
IWAKI CO.,LTD. 6-6 Kanda-Sudacho 2-chome Chiyoda-ku Tokyo 101-8558 Japan
TEL: +81 3 3254 2935 FAX: +81 3 3252 8892

European office / IWAKI Europe GmbH
TEL: +49 2154 9254 0 FAX: +49 2154 9254 48

Germany / IWAKI Europe GmbH
TEL: +49 2154 9254 50 FAX: +49 2154 9254 55

Holland / IWAKI Europe GmbH (Netherlands Branch)
TEL: +31 74 2420011 FAX: +49 2154 9254 48

Italy / IWAKI Europe GmbH (Italy Branch)
TEL: +39 0444 371115 FAX: +39 0444 335350

Spain / IWAKI Europe GmbH (Spain Branch)
TEL: +34 93 37 70 198 FAX: +34 93 47 40 991

Poland / IWAKI Europe Branch EAST
TEL: +48 12 347 0755 FAX: +48 12 347 0900

Belgium / IWAKI Belgium N.V.
TEL: +32 13 670200 FAX: +32 13 672030

Denmark / IWAKI Nordic A/S
TEL: +45 48 242345 FAX: +45 48 242346

Finland / IWAKI Suomi Oy
TEL: +358 10 201 0490

France / IWAKI France S.A.
TEL: +33 1 69 63 33 70 FAX: +33 1 64 49 92 73

Norway / IWAKI Norge AS
TEL: +47 23 38 49 00 FAX: +47 23 38 49 01

Sweden / IWAKI Sverige AB
TEL: +46 8 511 72900 FAX: +46 8 511 72922

U.S.A. / IWAKI America Inc.
TEL: +1 508 429 1440 FAX: +1 508 429 1386

Argentina / IWAKI America Inc. (Argentina Branch)
TEL: +54 11 4745 4116

Brazil / IWAKI Do Brasil Comercio De Bombas Hidraulicas LTDA.
TEL/FAX: +55 19 3244 5900

Singapore / IWAKI Singapore Pte Ltd.
TEL: +65 6316 2028 FAX: +65 6316 3221

Indonesia / IWAKI Singapore (Indonesia Office)
TEL: +62 21 6906606 FAX: +62 21 6906612

Malaysia / IWAKIm SDN. BHD.
TEL: +60 3 7803 8807 FAX: +60 3 7803 4800

Australia / IWAKI Pumps Australia Pty Ltd.

TEL: +61 2 9899 2411 FAX: +61 2 9899 2421

China (Hong Kong) / IWAKI Pumps Co., Ltd.

TEL: +852 2607 1168 FAX: +852 2607 1000

China (Guangzhou) / GFTZ IWAKI Engineering & Trading Co., Ltd.

TEL: +86 20 84350603 FAX: +86 20 84359181

China / IWAKI Pumps (Shanghai) Co., Ltd.

TEL: +86 21 6272 7502 FAX: +86 21 6272 6929

Korea / IWAKI Korea Co., Ltd.

TEL: +82 2 2630 4800 FAX: +82 2 2630 4801

Taiwan / IWAKI Pumps Taiwan Co., Ltd.

TEL: +886 2 8227 6900 FAX: +886 2 8227 6818

Thailand / IWAKI (Thailand) Co., Ltd.

TEL: +66 2 322 2471 FAX: +66 2 322 2477