

**A Compact Metering Pump Offers the
Best Solution for Strong Acid Transfer.**



A Compact Metering Pump Offers the Best Solution for Strong Acid Transfer.

The LK-TC type with fluorine wet ends is optimum for strong acid transfer.

The pump head consists of PVDF, ceramics, PTFE, FKM and other high grade materials.

0.2kW special motor type (9 models) and general-purpose motor type (4 models) are available to satisfy a wide flow range.



Use of PVDF Offers Lasting Durability for Strong Acid Transfer



Accurate Discharge Capacity of $\pm 2\%$ FS



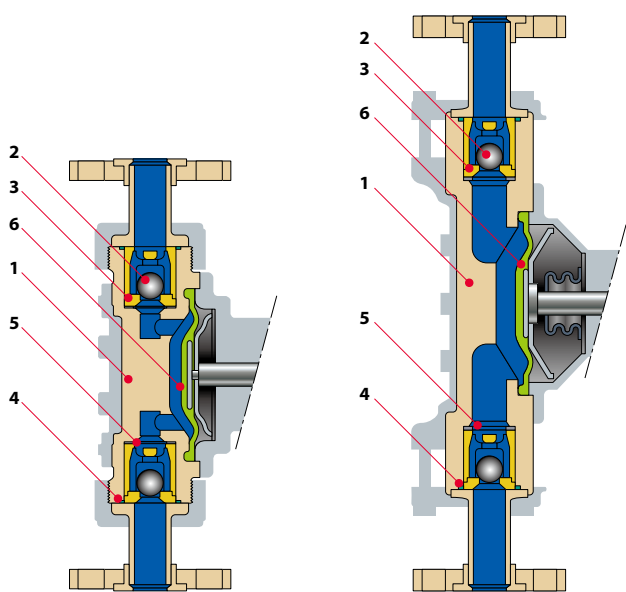
**Total 13 Models
From 0.2 to 0.75kW are Available**



Simple Structure and Easy Maintenance



Construction End Materials



LK-1 to 5 (IWAKI original motor type)
LK-A5 (JEM or IEC motor type)

LK-A6 to B6 (JEM or IEC motor type)

Application Type	Strong acids
1 : Pump head	TC
2 : Valve ball	PVDF
3: Valve seat	High purity ceramic
	Type 11 to 32
	Type 45 to 87
4 : O ring	FKM
5 : Valve gasket	PVDF
	PTFE
6 : Diaphragm	PTFE+EPDM

• Material symbols PVDF : PolyVinylidene DiFluoride
FKM : Fluoro rubber
PTFE : Polytetrafluoro Ethylene
EPDM : Ethylene Propylene rubber

• As for the connection, which is different in some models from standard.
• The other materials are available. Please contact us for details.

Pump Identification

2 LK - A 47 TC - 04 F E S

1 2 3 4 5 6 7 8 9

- | | |
|---|--|
| <p>1 Simplex / Duplex
 LK (IWAKI original motor type) No mark : Simplex
 2 : Duplex
 (Special drive section : LK-11 to 47)</p> <p>LK-F/A/B (JEM or IEC motor type) No mark : Simplex</p> <p>2 Series name
 L series : Mechanical driven diaphragm type</p> <p>3 Drive section
 LK (IWAKI original motor type) No mark : 0.2/0.25kW
 LK-F/A/B (JEM or IEC motor type) F : 0.25 or 0.37kW (for IEC), 0.4kW
 A : 0.4kW
 B : 0.75kW</p> <p>4 Type No.
 First digit : Diaphragm (Pump head size)
 Second digit : Speed-reducing gear ratio 1·5 : 1/30
 2·7 : 1/15</p> | <p>5 Material symbol
 TC : Fluoric resin</p> <p>6 Motor output
 LK (IWAKI original motor type) 02 : 0.2kW
 03 : 0.25kW (Single phase)
 LK-F/A/B (JEM or IEC motor type) 02 : 0.4kW
 07 : 0.75kW</p> <p>7 Special motor
 LK-F/A/B (JEM or IEC motor type) F : Inverter motor
 (No mark : General-purpose motors have no explosion-ploof symbol.)</p> <p>8 Servo unit
 E : With electric servo unit</p> <p>9 Special symbol
 S : Special specification other than standard.</p> |
|---|--|

* This table dose not introduce the standard combination. Please contact us for details.

Specifications

Model	Capacity L/min ^{Note1}		Max. Pressure MPa ^{Note2}	Stroke speed spm		Efective diaphragm dia. mm	Max. Stroke length mm	Connection Flange(JIS10K) mm	Motor output kW ^{Note3}	Approx net weight kg ^{Note4}
	50Hz	60Hz		50Hz	60Hz					
LK-11	0.020	0.024	1.0	48	58	Ø22	1.5	15A	0.2 (Three phase) or 0.25 (Single phase)	12
LK-21	0.050	0.060		48	58	Ø30	2.0			
LK-22	0.10	0.12		96	116	Ø60	2.5			
LK-31	0.25	0.30		48	58					
LK-32	0.50	0.60		96	116					
LK-45	0.85	1.00	0.8	48	58	Ø72	6.0	25A	0.4	14
LK-47	1.7	2.0	96	116	Ø100	10				
LK-55	2.8	3.3	0.5	48			58			
LK-57	6.0	7.2	0.3	96			116			
LK-A55	2.8	3.3	1.0	48	58	Ø100	10	25A	0.4	63
LK-A57	6.0	7.2	0.7	96	116					
LK-A65	9.0	10.8	0.3	48	58	Ø138	17.5	40A	0.75	70
LK-B65			0.5							100

Note 1: The capacity is the value when maximum discharge pressure is applied (with pure water at room temperature). The value may be lager than indicated in the table if the discharge pressure is lower.

As for the liquid conditions pumped and performance. Please contact us for details.

Note 2: The maximum discharge pressure of LK-A models are restricted to 0.7MPa for A55, 0.5MPa for A57 and 0.2MPa for A65 when IEC standard 0.37kW motor is adopted.

Note 3: The LK type is equipped with lwaki original flange motor. The standard is 200V 3-phase, totally enclosed fan-cooled outdoor type.

Other motors for different voltages, explosion-proof motors, or single-phase motors are available.

LK-F, LK-A and B are to be installed with general purpose flange motors.

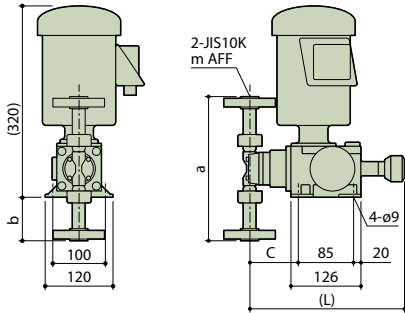
Note 4: The weight is the value when installed with a totally enclosed fan-cooled outdoor motor.

• Coating color : H37-60D (JPMA) (However, the motors for LK-F/A/B/C use the maker's standard color.)

• Duplex type : LK-11 to 47 type include duplex types with a special-use integrated drive section.

Dimensions in mm

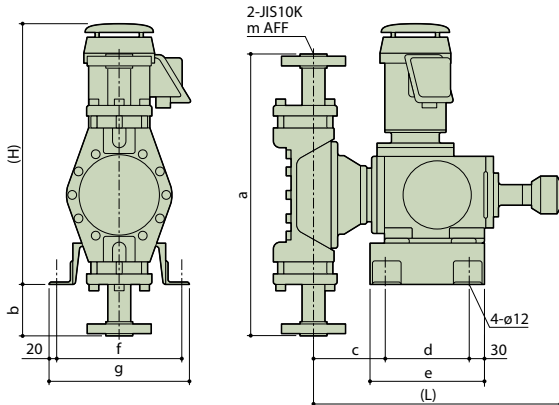
LK-1 to 5 (IWAKI original motor type)



Model	L	a	b	c	m
LK-1	275	256	78	119	15
LK-2		273	86	154	
LK-3	277	332	116	164	
LK-4	282	353	126	167	
LK-5	298	325	113		

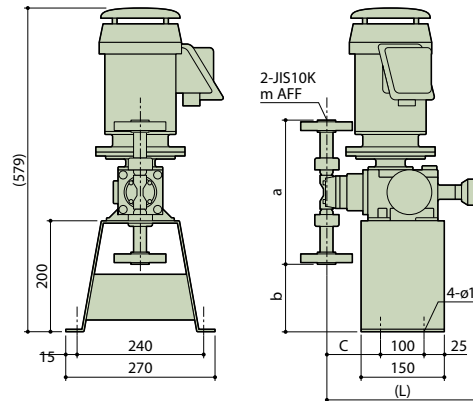
• The pump base is optional.

LK-A5 to B6 (JEM or IEC motor type)



Model	L	a	b	c	H	d	e	f	g	m
LK-A5	478	325	29	113	547	180	240	260	300	25
LK-A6	523	590	103	154						40
LK-B6	595		85	164						594

LK-F1 to F5 (JEM or IEC motor type)



Model	L	a	b	c	m
LK-F1	275	256	122	87	15
LK-F2		273	113		
LK-F3	277	332	84	89	
LK-F4	282	353	74	92	
LK-F5	298	325	87	167	

Optional Accessories



Relief valve (PVDF)

Model	Max. Capacity	Setting pressure	Connection Nominal size JIS 10K flange	Weight
	L/min			
RV-1T□-15	1.0	0.3 to 0.8	15A	0.5
RV-3T□-15	3.0			0.7
RV-7T□-15	7.5	0.3 to 0.8	25A	5.0
RV-7T□-25				
RV-25T□-25	25		40A	5.5
RV-25T□-40				

- : Symbol for material of O-ring ("V" for FKM, "E" for EPDM)
- Material for diaphragm is PTFE. RV-1T type is made of the same material as the O-ring.



Back pressure valve (PVDF)

Model	Max. Capacity	Setting pressure	Connection Nominal size JIS 10K flange	Weight
	L/min			
BV-1T□L-15	0.005 to 1.0	0.05 to 0.2	15A	0.5
BV-1T□-15				
BV-3T□-15	0.000125 to 3.0	0.1 to 0.8	25A	5.0
BV-7T□-25				
BV-25T□-25	2 to 25	0.1 to 0.8	40A	5.5
BV-25T□-40				

- : Symbol for material of O-ring ("V" for FKM, "E" for EPDM)
- Material for diaphragm is PTFE. BV-1T type and BV-3T type are made of the same material as the O-ring.
- The back pressure valve can not curb the residual flow completely when the pump stops. Use the solenoid valve in order to shut out the residual flow.

IWAKI CO., LTD. 6-6 Kanda-Sudacho 2-chome Chiyoda-ku Tokyo 101-8558 Japan TEL : (81)3 3254 2935 FAX : 3 3252 8892

IWAKI has global net work. Please find your distributor location at www.iwakupumps.jp

European Headquarter
Germany
The Netherlands (Netherlands Branch)
Italy (Italy Branch)
Spain (Spain Branch)
Poland (East Europe Branch)
Denmark
Finland
Norway
Sweden
Belgium
France

IWAKI Europe GmbH
IWAKI Europe GmbH
IWAKI Europe GmbH
IWAKI Europe GmbH
IWAKI Europe GmbH
IWAKI Nordic A/S
IWAKI Suomi Oy
IWAKI Norge AS
IWAKI Sverige AB
IWAKI Belgium N.V.
IWAKI France S.A.

TEL: (49)2154 9254 0 FAX: (49)2154 9254 48
TEL: (49)2154 9254 50 FAX: (49)2154 9254 55
TEL: (31)74 2420011 FAX: (49)2154 9254 48
TEL: (39)0445 561219 FAX: (39)0445 569088
TEL: (34)934 741 638 FAX: (34)934 741 638
TEL: (48)12 347 0755 FAX: (48)12 347 0900
TEL: (45)48 242345
TEL: (358)10 201 0490
TEL: (47)23 38 49 00
TEL: (46)8 511 72900
TEL: (32)13 670200 FAX: (32)13 672030
TEL: (33)1 69 63 33 70 FAX: (33)1 64 49 92 73

U.S.A.
Brazil
China (Shanghai)
China (Hong Kong)
China (Guangzhou)
Singapore
Indonesia (Indonesia Office)
Malaysia
Korea
Taiwan
Thailand
Australia

IWAKI America Inc.
IWAKI Do Brazil Comercio De Bombas Hidraulicas Ltda.
IWAKI Pumps (Shanghai) Co., Ltd.
IWAKI Pumps Co., Ltd.
GFTZ IWAKI Engineering & Trading Co., Ltd.
IWAKI Singapore Pte Ltd.
IWAKI Singapore Pte Ltd.
IWAKI Kim SDN. BHD.
IWAKI Korea Co.,Ltd.
IWAKI Pumps Taiwan Co., Ltd.
IWAKI (Thailand) Co.,Ltd.
IWAKI Pumps Australia Pty Ltd.

TEL: (1)508 429 1440 FAX: (1)508 429 1386
TEL: (55)19 3244 5900 FAX: (55)19 3244 5900
TEL: (86)21 6272 7502 FAX: (86)21 6272 6929
TEL: (852)2607 1168 FAX: (852)2607 1000
TEL: (86)20 84350603 FAX: (86)20 84359181
TEL: (65)6316 2028 FAX: (65)6316 3221
TEL: (62)21 6906606 FAX: (62) 21 6906612
TEL: (60)3 7803 8807 FAX: (60)3 7803 4800
TEL: (82)2 6238 4800 FAX: (82)2 6238 4801
TEL: (886)2 8227 6900 FAX: (886)2 8227 6818
TEL: (66)2 322 2471 FAX: (66)2 322 2477
TEL: (61)2 9899 2411 FAX: (61)2 9899 2421

() Country codes

⚠ Caution for safety use: Before use of pump, read instruction manual carefully to use the product correctly. Actual pumps may differ from the photos. Specifications and dimensions are subject to change without prior notice. For further details please contact us.

⚠ Legal attention related to export. Our products and/or parts of products fall in the category of goods contained in control list of international regime for export control. Please be reminded that export license could be required when products are exported due to export control regulations of countries. The posting and copying from this catalogue without permission is not accepted firmly.