



Automatic control of reliable Hi-cera pump Dispensing pumps combining drive actuators

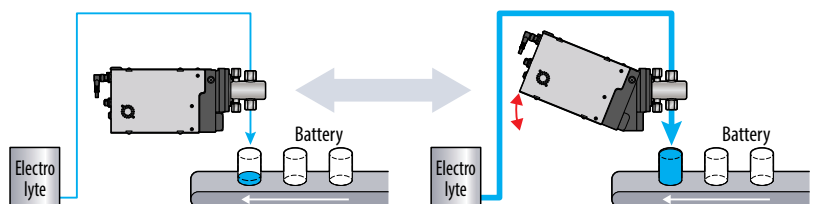
U.S. Pat. No. 7,708,535 B2

The VMP series is a dispensing pump that combines the reliable Iwaki Hi-Cera pump and the original drive actuator from Zaxis in the United States.

Automatic adjustment of fill volume

Mounting a motor for angle adjustment enables automatic adjustment of the amount of one shot. Adjustment is possible without stopping the mass production line, contributing to yield improvement.

Main applications: Battery electrolyte injection, other filling applications



Main features



Ultra-high precision



Valveless design



Compact design



Corrosion resistance

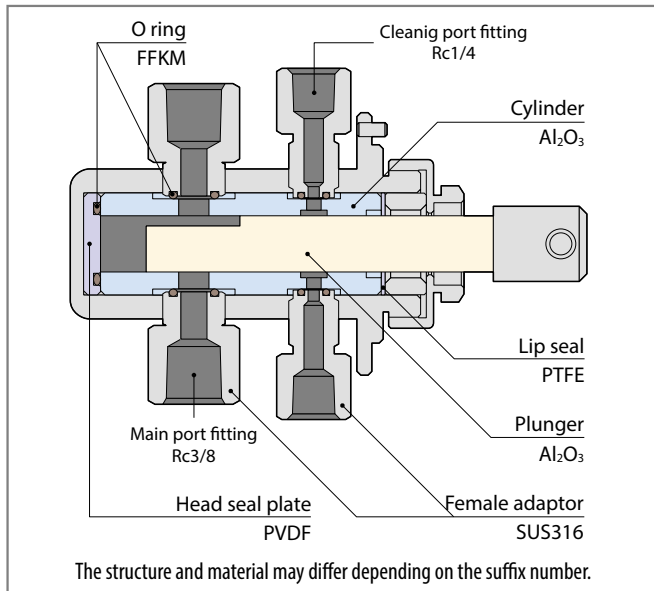


Prevent problems with the airlock



Injection into the vacuum section

Construction and materials



Identification

VMP-OEM-VS10V15- □

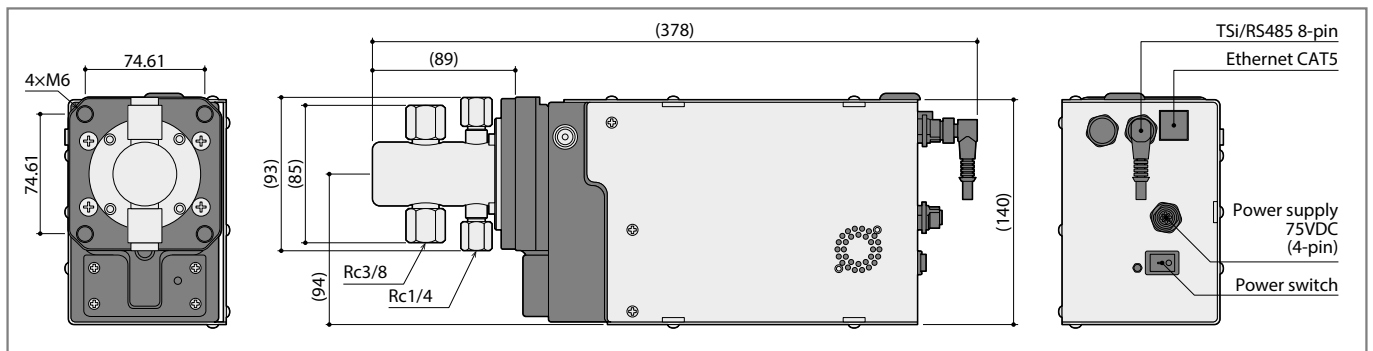
□=Suffix number : Added according to the specifications of the wetted part (pump part)

Specification

Max. discharge capacity	1800mL/min
Discharge pressure	0.3MPa
Repeatability	CV 0.5%
Rotation range	20 - 600rpm (min ⁻¹)*
1 shot volume	0 - 3.0mL/rev
Temperature range	0 - 40°C
Function	Up to 30 programs
Interface	RS485, Ethernet / IP
Power supply	75VDC 3A □

*Pump operation should be below Max.600rpm.

Dimension in mm



Options

• Controllers TSi

TSi is a 7-inch touch screen. Up to 32 VMP communicated over RS485
Designed for programming and setting, a communication cable is included.

- External Dimensions :W 190 mm×H 127 mm×D 25 mm
- Mass : 340 g
- Power supply: powered from 5VDC half-duplex RS485(VMP)

- Cable VMP-8 RA-RS 485-5 M (RS 485)
- Cable VMP-4RA-AC-5M (Power supply)
- DC Power supply VMP-PSK-VS 10 (75V)
- Connection method

You can select RS-485 and Ethernet/IP for how to connect.
TSi is connected via the 8-pin connector terminal.

*When connecting multiple units, a separate connector will be required. Contact CKD for details.



IWAKI CO., LTD. 6-6 Kanda-Sudacho 2-chome Chiyoda-ku Tokyo 101-8558 Japan TEL : (81)3 3254 2935 FAX : 3 3252 8892

IWAKI has global net work. Please find your distributor location at www.iwakipumps.jp

European Headquarter
Germany
The Netherlands (Netherlands Branch)
Italy (Italy Branch)
Spain (Spain Branch)
Poland (East Europe Branch)
Denmark
Finland
Norway
Sweden
Belgium
France

IWAKI Europe GmbH
IWAKI Europe GmbH
IWAKI Europe GmbH
IWAKI Europe GmbH
IWAKI Europe GmbH
IWAKI Nordic A/S
IWAKI Suomi Oy
IWAKI Norge AS
IWAKI Sverige AB
IWAKI Belgium N.V.
IWAKI France S.A.

TEL: (49)2154 9254 0 FAX: (49)2154 9254 48
TEL: (49)2154 9254 50 FAX: (49)2154 9254 55
TEL: (31)74 2420011 FAX: (49)2154 9254 48
TEL: (39)0445 561219 FAX: (39)0445 569088
TEL: (34)934 741 638 FAX: (34)934 741 638
TEL: (48)12 347 0755 FAX: (48)12 347 0900
TEL: (45)48 242345
TEL: (358)10 201 0490
TEL: (47)23 38 49 00
TEL: (46)8 511 72900
TEL: (32)13 670200 FAX: (32)13 672030
TEL: (33)1 69 63 33 70 FAX: (33)1 64 49 92 73

U.S.A.
Brazil
China (Shanghai)
China (Hong Kong)
China (Guangzhou)
Singapore
Indonesia (Indonesia Office)
Malaysia
Korea
Taiwan
Thailand
Australia

IWAKI America Inc.
IWAKI Do Brazil Comercio De Bombas Hidraulicas Ltda.
IWAKI Pumps (Shanghai) Co., Ltd.
IWAKI Pumps Co., Ltd.
GFTZ IWAKI Engineering & Trading Co., Ltd.
IWAKI Singapore Pte Ltd.
IWAKI Singapore Pte Ltd.
IWAKim SDN. BHD.
IWAKI Korea Co.,Ltd.
IWAKI Pumps Taiwan Co., Ltd.
IWAKI (Thailand) Co.,Ltd.
IWAKI Pumps Australia Pty Ltd.

TEL: (1)508 429 1440 FAX: (1)508 429 1386
TEL: (55)19 3244 5900 FAX: (55)19 3244 5900
TEL: (86)21 6272 7502 FAX: (86)21 6272 6929
TEL: (852)2607 1168 FAX: (852)2607 1000
TEL: (86)20 84350603 FAX: (86)20 84359181
TEL: (65)6316 2028 FAX: (65)6316 3221
TEL: (62)21 6906606 FAX: (62) 21 6906612
TEL: (60)3 7803 8807 FAX: (60)3 7803 4800
TEL: (82)2 6238 4800 FAX: (82)2 6238 4801
TEL: (886)2 8227 6900 FAX: (886)2 8227 6818
TEL: (66)2 322 2471 FAX: (66)2 322 2477
TEL: (61)2 9899 2411 FAX: (61)2 9899 2421

() Country codes

Caution for safety use: Before use of pump, read instruction manual carefully to use the product correctly. Actual pumps may differ from the photos. Specifications and dimensions are subject to change without prior notice. For further details please contact us.

Legal attention related to export. Our products and/or parts of products fall in the category of goods contained in control list of international regime for export control. Please be reminded that export license could be required when products are exported due to export control regulations of countries. The posting and copying from this catalogue without permission is not accepted firmly.