

IWAKI
BELLOWS TYPE
AIR PUMPS

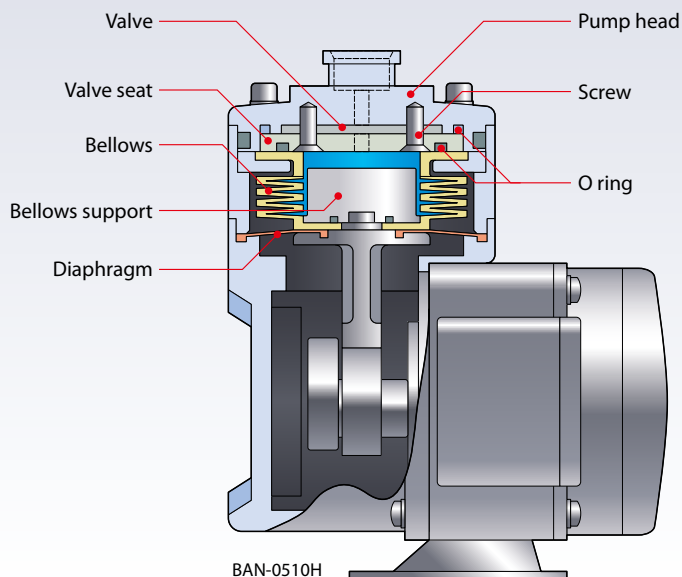
BAN



A highly accurate blower features a long life & low power consumption

- A low power consumption and bellows system have realized a further extended life span.
- A wide control range of 1:25.
- The brushless DC motor speed can be controlled by the 0.5 to 5 VDC signal.
- The safety design assures no risk of gas leakage even if the bellows is ruptured accidentally.

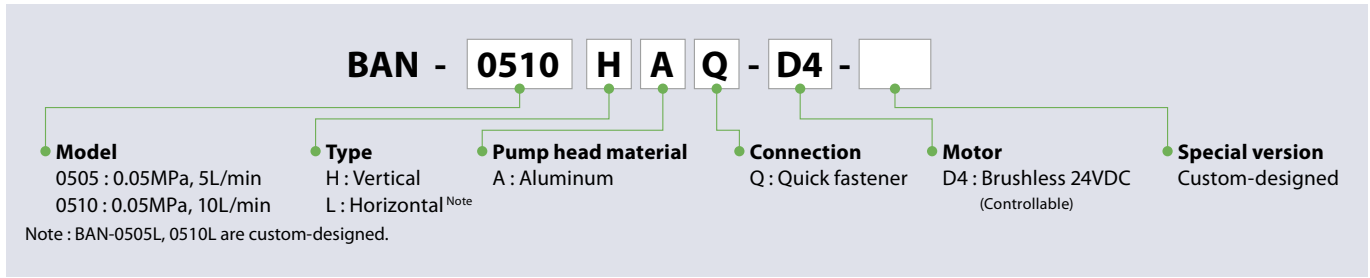
Construction and materials



BAN-0510H

Parts name	Materials
Pump head	ADC12
Bellows	PTFE
Bellows support	ADC12
Valve	HNBR
Valve seat	ADC12
O ring	NBR
Screw	STNLS STL

Pump identification

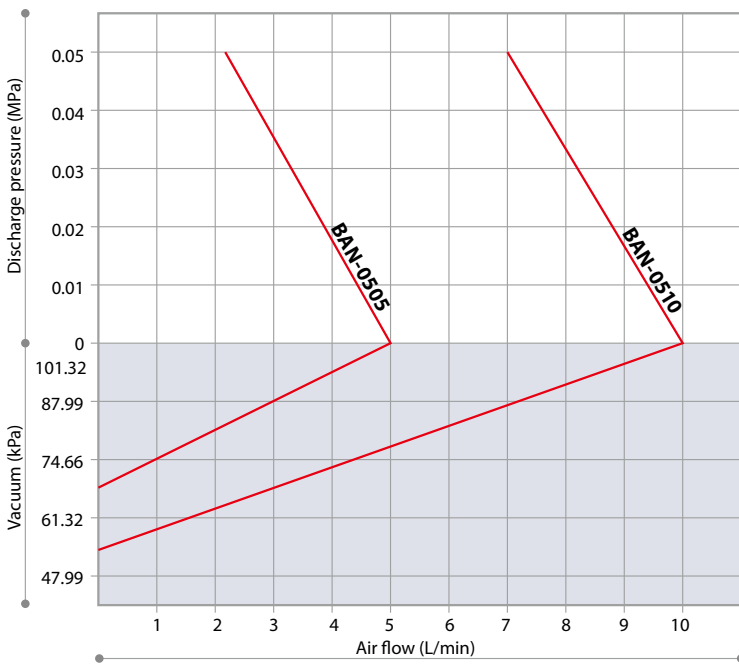


Specifications (50/60Hz)

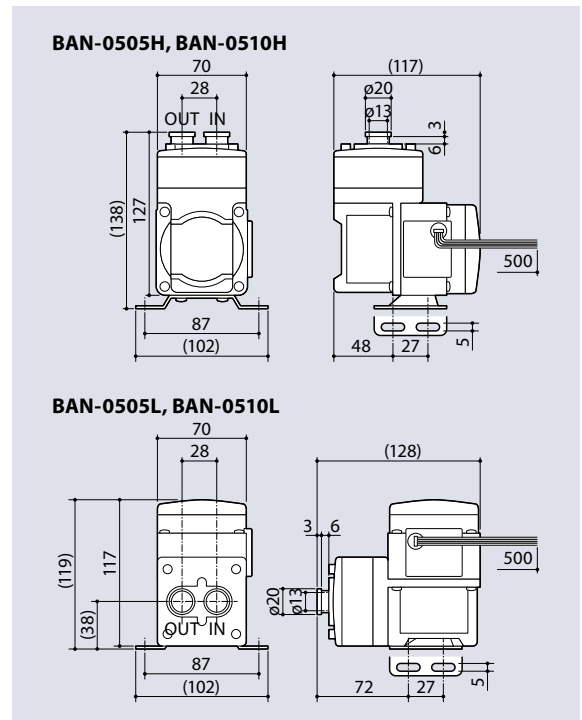
Model	Performance			Power consumption		Power voltage	Connection size
	Max.air flow	Max.discharge pressure	Max. vacuum	Max. value	At the rated load		
BAN-0505	5 L/min	0.05 MPa	67.99 kPa	14 W	6 W	24VDC	Quick fastener 10P
BAN-0510	10 L/min		54.66 kPa	24 W	9 W		

• Ambient temp. -10 to 60 °C • Handling gas temp. 0 to 60 °C

Performance curves



Dimensions (mm)



IWAKI CO., LTD. 6-6 Kanda-Sudacho 2-chome Chiyoda-ku Tokyo 101-8558 Japan
TEL : (81)3 3254 2935 FAX : 3 3252 8892

()Country codes

IWAKI has global net work. Please find your distributor location at

www.iwakipumps.jp

European office : **IWAKI Europe GmbH**
Germany : **IWAKI Europe GmbH**
Holland : **IWAKI Europe GmbH** (Netherlands Branch)
Italy : **IWAKI Europe GmbH** (Italy Branch)
Spain : **IWAKI Europe GmbH** (Spain Branch)
Belgium : **IWAKI Belgium N.V.**
Denmark : **IWAKI Nordic A/S**
Finland : **IWAKI Suomi Oy**
France : **IWAKI France S.A.**
Norway : **IWAKI Norge AS**
Sweden : **IWAKI Sverige AB**
U.K. : **IWAKI Pumps (UK) Ltd.**

TEL: (49)2154 9254 0 FAX: 2154 9254 48
TEL: (49)2154 9254 50 FAX: 2154 9254 55
TEL: (31)74 2420011 FAX: (49)2154 925448
TEL: (39)0444 371115 FAX: 0444 335350
TEL: (34)93 37 70 198 FAX: 93 47 40 991
TEL: (32)13 67 02 00 FAX: 13 67 20 30
TEL: (45)48 24 2345 FAX: 48 24 2346
TEL: (358)9 2745810 FAX: 9 2742715
TEL: (33)1 69 63 33 70 FAX: 1 64 49 92 73
TEL: (47)23 38 49 00 FAX: 23 38 49 01
TEL: (46)8 511 72900 FAX: 8 511 72922
TEL: (44)1743 231363 FAX: 1743 366507

U.S.A. : **IWAKI America Inc.**
Argentina : **IWAKI America Inc.** (Argentina Branch)
Singapore : **IWAKI Singapore Pte Ltd.**
Indonesia : **IWAKI Singapore** (Indonesia Branch)
Malaysia : **IWAKI Sdn. Bhd.**
Australia : **IWAKI Pumps Australia Pty Ltd.**
Hong Kong : **IWAKI Pumps Co., Ltd.**
China : **GFTZ IWAKI Engineering & Trading Co., Ltd.**
 IWAKI Pumps (Shanghai) Co., Ltd.
Korea : **IWAKI Korea Co., Ltd.**
Taiwan : **IWAKI Pumps Taiwan Co., Ltd.**
Thailand : **IWAKI (Thailand) Co., Ltd.**
Vietnam : **IWAKI Pumps Vietnam Co., Ltd.**

TEL: (1)508 429 1440 FAX: 508 429 1386
TEL: (54)11 4745 4116
TEL: (65)6316 2028 FAX: 6316 3221
TEL: (62)21 6906606 FAX: 21 6906612
TEL: (60)3 7803 8807 FAX: 3 7803 4800
TEL: (61)2 9899 2411 FAX: 2 9899 2421
TEL: (852)2607 1168 FAX: 2607 1000
TEL: (86)20 84350603 FAX: 20 84359181
TEL: (86)21 6272 7502 FAX: 21 6272 6929
TEL: (82)2 2630 4800 FAX: 2 2630 4801
TEL: (886)2 8227 6900 FAX: 2 8227 6818
TEL: (66)2 322 2471 FAX: 2 322 2477
TEL: (84)613 933456 FAX: 613 933399

Caution for safety use:
Before use of pump, read instruction manual carefully to use the product correctly.

Legal attention related to export.

Our products and/or parts of products fall in the category of goods contained in control list of international regime for export control. Please be reminded that export license could be required when products are exported due to export control regulations of countries.

Actual pumps may differ from the photos. Specifications and dimensions are subject to change without prior notice. For further details please contact us.

